

*Charmglow*<sup>®</sup>  
GOURMET SERIES

# NATURAL GAS GRILL ISLAND

Outdoor Gas Grill / Parrilla a Gas para uso Exterior

## OWNER'S MANUAL / MANUAL DEL PROPIETARIO

ASSEMBLY AND OPERATING INSTRUCTIONS / INSTRUCCIONES DE ARMADO Y OPERACIÓN

**SAVE THIS MANUAL FOR FUTURE REFERENCE  
GUARDE ESTE MANUAL PARA REFERENCIA FUTURA**

### NOTICE TO INSTALLER:

LEAVE THESE INSTRUCTIONS  
WITH THE GRILL OWNER FOR  
FUTURE REFERENCE.

### AVISO PARA EL INSTALADOR:

ENTREGUE ESTAS  
INSTRUCCIONES AL  
PROPIETARIO DE LA PARRILLA  
PARA REFERENCIA FUTURA.

### ⚠ WARNING/ADVERTENCIA


HAZARDOUS EXPLOSION MAY RESULT IF THESE WARNINGS AND INSTRUCTIONS ARE IGNORED. READ AND FOLLOW ALL WARNINGS AND INSTRUCTIONS IN THIS MANUAL TO AVOID PERSONAL INJURY, INCLUDING DEATH OR PROPERTY DAMAGE.

SE PUEDE PRODUCIR UNA EXPLOSIÓN PELIGROSA SI SE HACE CASO OMISO A ESTAS ADVERTENCIAS E INSTRUCCIONES. LEA Y SIGA TODAS LAS ADVERTENCIAS E INSTRUCCIONES EN ESTE MANUAL PARA EVITAR LESIONES PERSONALES, INCLUSO LA MUERTE, O LOS DAÑOS MATERIALES.





# IMPORTANT SAFETY WARNINGS

WE WANT YOU TO ASSEMBLE AND USE YOUR GRILL AS SAFELY AS POSSIBLE. THE PURPOSE OF THIS SAFETY ALERT SYMBOL  IS TO ATTRACT YOUR ATTENTION TO POSSIBLE HAZARDS AS YOU ASSEMBLE AND USE YOUR GRILL.

WHEN YOU SEE THE SAFETY ALERT SYMBOL  PAY CLOSE ATTENTION TO THE INFORMATION WHICH FOLLOWS!

 READ ALL SAFETY WARNINGS AND INSTRUCTIONS CAREFULLY BEFORE ASSEMBLING AND OPERATING YOUR GRILL.

## DANGER

IF YOU SMELL GAS:

1. Shut off gas to the appliance.
2. Extinguish any open flame.
3. Open Lid.
4. If odor continues, keep away from the appliance and immediately call your gas supplier or your fire department.

## WARNING

1. Do not store or use gasoline or other flammable liquids or vapors in the vicinity of this or any other appliance.
2. An LP cylinder not connected for use shall not be stored in the vicinity of this or any other appliance.

## DANGER



- DO NOT store LP gas cylinders under or near this appliance.
- A fire causing death or serious injury may occur if the above is not followed exactly.

# TABLE OF CONTENTS

General Warnings . . . . .	3
Installation and Safe Use . . . . .	4
Connecting Hose to Natural Gas Source . . . . .	5
Leak Testing . . . . .	6–7
Pre-start Check List . . . . .	7
Lighting Instructions . . . . .	8–10
Operating Grill and Helpful Hints . . . . .	11–13
Proper Care and Maintenance . . . . .	13–15
Transporting and Storage . . . . .	15
Trouble Shooting . . . . .	16
Frequently Asked Questions . . . . .	17
Parts List and Assembly Instructions . . . . .	18–31
Warranty Information . . . . .	Back Cover

**⚠ DANGER:** Indicates an imminently hazardous situation which, if not avoided, will result in death or serious injury.

**⚠ WARNING:** Be alert to the possibility of serious bodily injury if the instructions are not followed. Be sure to read and carefully follow all of the messages.

**⚠ CAUTION:** Indicates a potentially hazardous situation which, if not avoided, may result in minor or moderate injury.

# GENERAL WARNINGS

## **⚠ WARNING**

- Never use liquid propane gas (LP) in a unit designed for natural gas.
- Never use charcoal briquets or lighter fluid in a gas grill.
- Leak test all connections before first use, even if grill was purchased fully assembled and after each time the hose is connected to natural gas supply.
- Never check for leaks using a match or open flame.

**⚠ CAUTION!** Strong odors, colds, sinus congestion, etc. may prevent the detection of natural gas. Use caution and common sense when testing for leaks.

- Always keep your gas grill free and clear of gasoline, paint thinner, or other flammable vapors and liquids or combustible materials.
- Always check the grill prior to each use as indicated in the "Pre-Start Check List" section of this manual.
- DO NOT use back rotisserie burner when main burners are in use.
- DO NOT obstruct the flow of combustion or ventilation air.
- Keep children and pets away from hot grill. DO NOT allow children to use or play near this grill.
- DO NOT leave the grill unattended while in use.
- DO NOT allow the gas hose to come in contact with hot surfaces.
- DO NOT allow grease from drain hole to fall on hose.
- Keep any electrical supply cords away from water or heated surfaces.
- Keep a fire extinguisher on hand acceptable for use with gas products. Refer to your local authority to determine proper size and type.
- For household use only. DO NOT use this grill for anything other than its intended purpose.
- DO NOT use while under the influence of drugs or alcohol.
- Grill is hot when in use. To avoid burns:
  - DO NOT attempt to move the grill.
  - Wear protective gloves or oven mitts.
  - DO NOT touch any hot grill surfaces.
  - DO NOT wear loose clothing or allow hair to come in contact with grill.

**⚠ USE CAUTION AND COMMON SENSE WHEN OPERATING YOUR GAS GRILL.**

**FAILURE TO ADHERE TO THE SAFETY WARNINGS AND GUIDELINES IN THIS MANUAL COULD RESULT IN SEVERE BODILY INJURY OR PROPERTY DAMAGE.**

**SAVE THIS MANUAL FOR FUTURE REFERENCE.**

# GENERAL WARNINGS

## WARNING

- **FOR OUTDOOR USE ONLY. DO NOT** operate indoors or in an enclosed area such as a garage, shed or breezeway.
- Use your grill **OUTDOORS** in a well ventilated space away from dwellings or other buildings to prevent dangers associated with gas accumulation and toxic vapors. We recommend your grill be situated at least 10 feet (3.1 m) from buildings.
- Maintain a minimum clearance of 36 inches (91 cm) between all sides of grill and walls or other combustible material. **DO NOT** use grill under overhead unprotected combustible construction.
- **DO NOT** use or install this grill in or on a recreational vehicle and/or boat.

## WARNING

- **DO NOT** use hard metal piping of any kind to connect this type of grill to a natural gas source. Use only hose specified by manufacturer. Using hard metal piping or convoluted metal tubing is an unsafe practice. Movement of the grill can cause breakage of metal pipe.
- The appliance and its individual shut off valve must be disconnected from the gas supply piping system during any pressure testing of that system at test pressures in excess of 1/2 psi (3.5 kPa).
- The appliance must be isolated from the gas supply piping system by closing its individual manual shut off valve during any pressure testing of the gas supply piping system at test pressure equal to or less than 1/2 psi (3.5 kPa).
- This grill is designed for natural gas use at 7 inch water column supply pressure. Verify supply pressure with your local gas company. Not for use with LP gas.
- Connections to gas source must be performed by a certified plumber.

## INSTALLATION INFORMATION:

The installation of this appliance must be in accordance with:

All applicable local codes, or in the absence of local codes, either:

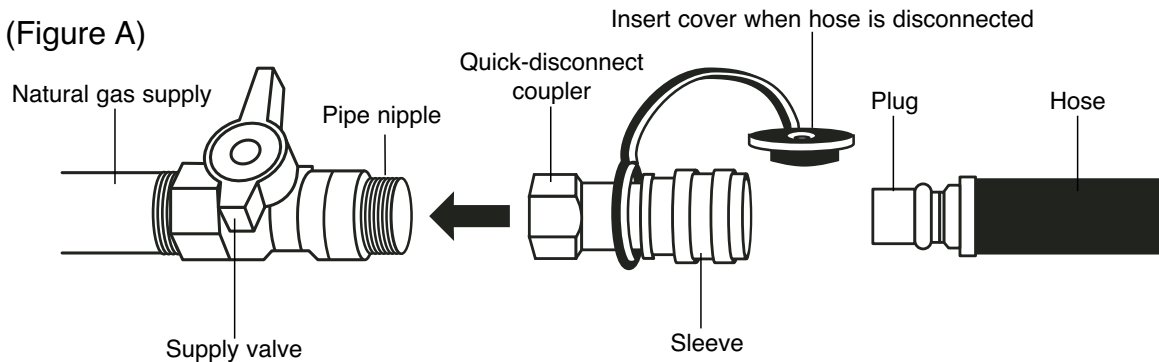
- National Fuel Gas Code ANSI Z223.1 NFPA 54
- Natural Gas and Propane Installation Code: CAN/CGA B149.1
- Natural Gas Installation Code: CAN/CGA B149.1 (Canada)
- Propane Installation Code: CAN/CGA B149.2 (Canada)

To check local codes, please contact your local natural gas company. This grill was not intended to be connected to an LP Gas Cylinder.

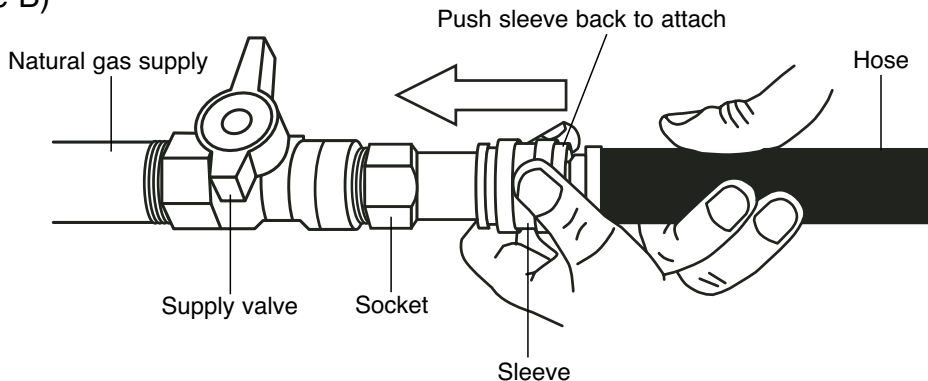
## CONNECTING YOUR GRILL TO THE NATURAL GAS SOURCE

1. Coat pipe nipple with gas resistant teflon tape or pipe dope. Tighten quick-disconnect coupler onto pipe nipple that leads to natural gas supply (Figure A).
2. After grill is completely assembled, make sure natural gas supply valve is “OFF” and then connect natural gas hose to socket. Push sleeve back on socket (Figure B) and insert plug until sleeve snaps forward, locking plug into socket. Be sure to leak test these connections prior to use.

(Figure A)



(Figure B)



## DISCONNECTING YOUR GRILL FROM THE NATURAL GAS SOURCE

1. Turn natural gas supply valve “OFF”
2. To disconnect, push sleeve back and pull plug out of sleeve.

### **⚠ WARNING**

- **Never use your grill without leak testing all gas connections and hoses. See the section on “Leak Testing” in this manual for proper procedures.**
- **Visually inspect the hose assembly prior to each use for evidence of damage, excess wear or deterioration. If found, replace the assembly before using your grill. Only the Brinkmann supplied replacement should be used.**

## **⚠ DANGER**

### **LEAK TESTING:**

To prevent fire or explosion hazard:

- **DO NOT** smoke or permit ignition sources in the area while conducting a leak test.
- Perform test **OUTDOORS** only in a well ventilated area.
- Never perform a leak test with a match or open flame.
- Never perform a leak test while the grill is in use or while grill is still hot.

## **⚠ WARNING**

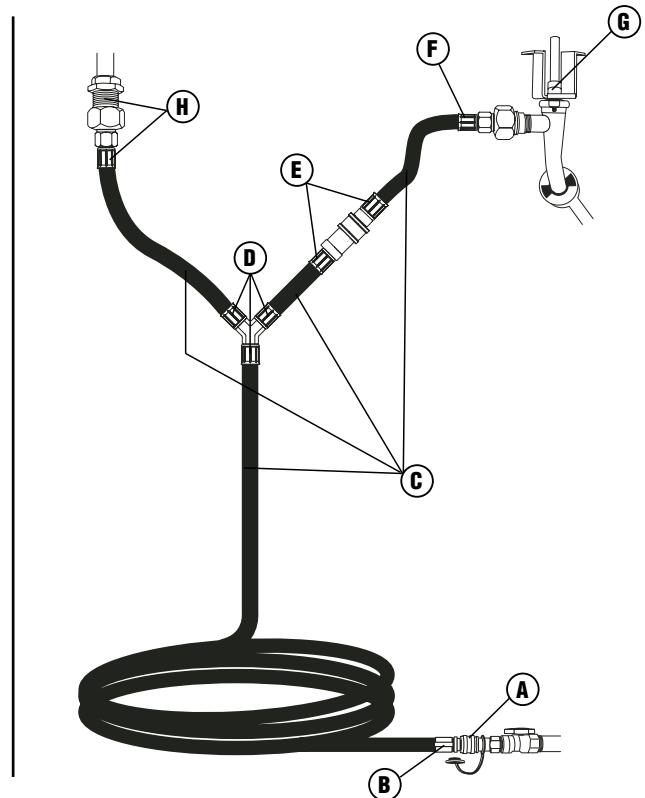
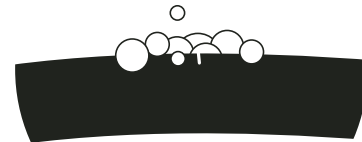
### **WHEN TO PERFORM A LEAK TEST:**

- After assembling your grill and before lighting for the first time, even if purchased fully assembled.
- Every time the gas hose is connected to the natural gas supply or if any of the gas components are replaced.
- Any time your grill has been moved.
- At least once per year or if your grill has not been used for more than 60 days.

### **CHECKING FOR LEAKS:**

1. Create a mixture of 50% water and 50% liquid dishwashing soap.
2. Open the lid.
3. Insure all burner knobs are set to the OFF position.
4. Turn on the natural gas supply.
5. Apply the soap water mixture to the following:

- Ⓐ Quick-disconnect coupler
- Ⓑ Plug and hose connection
- Ⓒ The full length of gas supply hose
- Ⓓ “Y” connector to all three gas supply hoses .
- Ⓔ Brass connections and quick disconnect assembly.
- Ⓕ Side burner connection to hose.
- Ⓖ Side burner valve stem cap.
- Ⓗ Gas supply connection to gas manifold.



6. Check each place listed (A - H) for growing bubbles which indicates a leak.
7. Turn OFF gas at natural gas supply.
8. Turn on control knobs to release gas pressure in hose.
9. Turn control knobs to OFF position.
10. Tighten any leaking connections.
11. Repeat soapy water test until no leaks are detected. **DO NOT** use the grill if leaks cannot be stopped. Contact a qualified gas appliance repair service.
12. Turn OFF gas supply at natural gas supply until you are ready to use your grill.
13. Wash off soapy residue with cold water and towel dry.
14. Wait 5 minutes to allow all gas to evacuate the area before lighting grill.

**⚠ CAUTION!** **DO NOT** use the grill if leaks cannot be stopped. Contact a qualified gas appliance repair service.

Note: The leak test must be performed in an area that has adequate lighting in order to see if bubbles are developing. **DO NOT** use a flashlight to check for bubbles.

## **⚠ WARNING**

### **PRE-START CHECK LIST:**

**Property damage, bodily harm, severe burns, and death could result from failure to follow these safety steps. These steps should be performed after the grill has been assembled, stored, moved, cleaned, or repaired. DO NOT operate this grill until you have read and understand ALL of the warnings and instructions in this manual.**

### **PRE-START CHECK LIST:**

- Ensure that the grill is properly assembled.
- Inspect the gas supply hose for burns, chaffing, kinks, and proper routing before each use. If it is evident there is excessive abrasion or wear, or the hose is cut, it must be replaced prior the grill being used. A replacement hose can be obtained by contacting customer service at 800-527-0717.
- Leak check all gas connections and hose. See section on "Leak Testing".
- Ensure that all electrical supply cords are properly grounded. Keep any electrical supply cord and the fuel supply hose away from any heated surfaces. Hose should be at least 3 inches from hot surfaces.
- Position your grill on level ground in a well ventilated location, a safe distance from combustible materials, buildings and overhangs.
- Properly place the empty grease tray under the grease drain hole in the bottom of the grill to catch grease during use.
- **DO NOT** obstruct the flow of combustion and ventilation air.



## **⚠ WARNING**

Read, understand and follow all warnings and instructions contained in this manual. **DO NOT** skip any of the warnings and instructions contained in the preceding sections of this manual.

## **⚠ WARNING**

### **LIGHTING INSTRUCTIONS:**

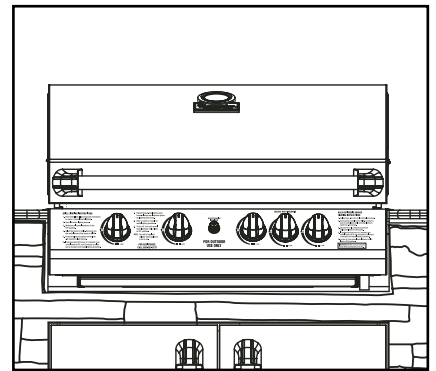
Follow the instructions exactly.

1. **OPEN THE GRILL LID** before attempting to light a burner so that fumes do not accumulate inside the grill. An explosion could occur if grill lid is down.
2. Check that all burner control knobs and the natural gas supply are turned to the "OFF" position.
3. Turn on natural gas supply.
4. **DO NOT** stand with head, body, or arms over the grill when lighting.

### **LIGHTING THE MAIN BURNERS:**

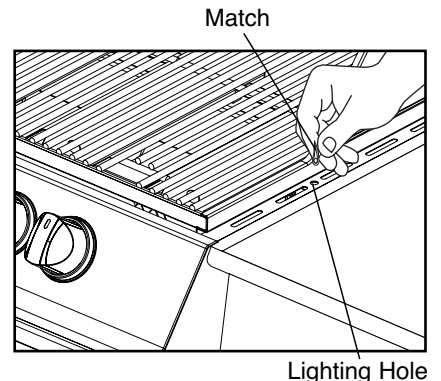
1. Open lid before lighting burner.
2. Make sure all control knobs are in the "OFF" position.
3. Select the burner to be lit. Push and turn the control knob of that burner to the "HIGH" position.
4. Press the electronic igniter and hold for 3–5 seconds to light burner.
5. If ignition does NOT occur in 5 seconds, turn control knob to "OFF", wait 5 minutes to allow gas to dissipate and repeat lighting procedure.
6. Repeat Steps 3–5 for lighting each burner. Always use the electronic igniter for lighting each burner. If burner does not ignite using push-button igniter, wait 5 minutes, see "Match Lighting the Main Burners" section.
7. To turn off, turn each control knob clockwise until it locks in the "OFF" position. This does not turn off the gas flow from the natural gas supply.

Note: If burner does not light or flame is too low, you may have spider or other insect blockage in burner. See "Burner Assembly/Maintenance" under Proper Care and Maintenance.



### **MATCH LIGHTING THE MAIN BURNERS:**

1. Open lid before lighting.
2. Turn the burner control knobs to "OFF".
3. Strike the match and place approximately 1/2" (1 to 2 cm) above lighting hole located on right and left hand side of the grill body.
4. Turn right or left burner control knob to the "HIGH" position. The burner should light within 5 seconds.
5. If the burner does not light, turn the control knob to "OFF" and wait 5 minutes for gas to evacuate the grill. Repeat Steps 1 through 5 until the burner ignites.
6. Once lit, light adjacent burners in sequence by pressing in and rotating the control knob to the "HIGH" position.
7. If the burner does not light within the first few attempts of match lighting, there is a problem with the gas supply. Turn off the gas at the burner and cylinder. **DO NOT** attempt to operate the grill until the problem is found and corrected. See "Trouble Shooting" section of this manual.

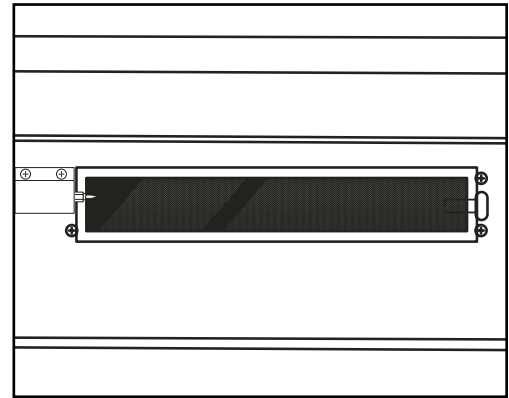


## LIGHTING THE ROTISSERIE BURNER:

1. Open grill hood before lighting rotisserie burner.
2. Make sure control knob is in the "OFF" position.
3. Push and turn the control knob to the "HIGH" position. Continue to push in control knob while pressing electronic igniter for 3–5 seconds.
4. Once burner is lit, continue to push and hold control knob for 30 seconds.
5. If ignition does NOT occur in 5 seconds, turn control knob to "OFF", wait 5 minutes to allow gas to dissipate and repeat lighting procedure.
6. To turn off, turn control knob clockwise until it locks in the "OFF" position.

**IMPORTANT:** DO NOT use back rotisserie burner when main burners are in use.

Note: If burner does not light or flame is too low, you may have spider or other insect blockage in burner. See "Burner Assembly/Maintenance" under Proper Care and Maintenance.



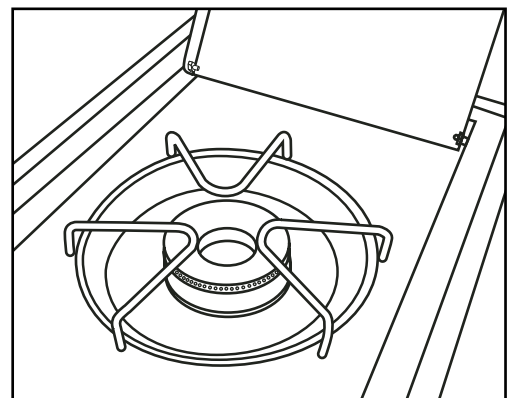
## MATCH LIGHTING THE ROTISSERIE BURNER:

1. Open grill hood before lighting rotisserie burner.
2. Make sure control knob is in the "OFF" position.
3. Strike and carefully place a match approximately 1/2" (1 to 2 cm) from the lower edge of burner.
4. Push and turn the control knob to the "HIGH" position. Continue to push in control knob for 3-5 seconds while holding match under burner. The burner should light within 5 seconds.
5. Once burner is lit, continue to push and hold control knob for 30 seconds.
6. If the burner does not light, turn the control knob to "OFF" and wait 5 minutes for gas to dissipate and repeat lighting procedure.
7. If the burner does not light within the first few attempts of match lighting, there is a problem with the gas supply. Turn off the gas at the burner and natural gas supply. **DO NOT** attempt to operate the grill until the problem is found and corrected. See "Trouble Shooting" section of this manual.

## LIGHTING THE SIDE BURNER:

1. Open lid before lighting side burner.
2. Make sure control knob is in the "OFF" position.
3. Push and turn side burner control knob to the "HIGH" position.
4. Press the electronic igniter on the side burner and hold for 3–5 seconds to light burner.
5. If ignition does NOT occur in 5 seconds, turn control knob to "OFF", wait 5 minutes to allow gas to dissipate and repeat lighting procedure.
6. To turn off, turn each knob clockwise until it locks in the "OFF" position.

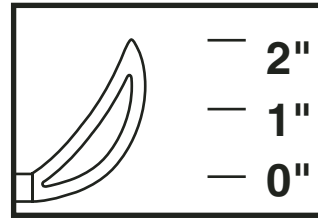
Note: If burner does not light or flame is too low, you may have spider or other insect blockage in burner. See "Burner Assembly/Maintenance" under Proper Care and Maintenance.



## MATCH LIGHTING THE SIDE BURNER:

1. Open the lid to the side burner before lighting.
2. Make sure control knob is in the "OFF" position.
3. Strike and carefully place a match approximately 1/2" (1 to 2 cm) from the burner.
4. Turn the side burner control knob to the "HIGH" position. The burner should light within 5 seconds.
5. If the burner does not light, turn the control knob to "OFF" and wait 5 minutes for gas to dissipate and repeat lighting procedure.
6. If the burner does not light within the first few attempts of match lighting, there is a problem with the gas supply. Turn off the gas at the burner and natural gas supply. **DO NOT** attempt to operate the grill until the problem is found and corrected. See "Trouble Shooting" section of this manual.

Note: Observe flame height when lit: Flame should be a Blue/Yellow color between 1"-2" when burner is on "HIGH".



## TURNING OFF THE GRILL:

1. Turn off the natural gas supply.
2. Turn all burner control knobs to the "OFF" position.

Note: Turn off natural gas supply first to prevent gas from being left in the system under pressure.

## **⚠ CAUTION!**

- The natural gas supply should always be in the off, or closed, position when the grill is not in use.

## **WARNING**

### **OPERATING THE GRILL:**

**Never use Charcoal or Lighter Fluid inside your Gas Grill. Read and follow all warnings and instructions contained in the preceding sections of this manual.**

### **BREAKING IN YOUR GRILL:**

- In manufacturing and preserving the components of your grill, oil residue may be present on the burner and cooking surfaces of your grill.
- Before cooking on your grill for the first time you should preheat it for 15 minutes on "HIGH" to burn off these residual oils.

### **PREHEATING THE GRILL:**

- Prior to use, it is recommended that you preheat your grill. This ensures that the grilling surfaces are at the desired temperatures to sear the food sugars when cooking. After lighting your grill, set the main burner control knobs to the "HIGH" position for 10 to 15 minutes. Close the cover during the preheat period.

### **CONTROLLING FLARE-UPS:**

- Flare-ups are a part of cooking meats on a gas grill. This adds to the unique flavor of cooking on a gas grill. Excessive flare-ups can over-cook your food and cause a dangerous situation for you and your grill. Excessive flare-ups result from the build-up of grease on the top of the heat tents. If this should occur, **DO NOT** pour water onto the flames. This can cause the grease to splatter and could result in serious burns or bodily harm. If grease fire occurs close the lid and turn off the main burners until the grease burns out. Use caution when opening the lid as sudden flare-ups may occur.

## **WARNING**

- **DO NOT** leave your grill unattended while in use.
- **DO NOT** move grill when in use.
- **DO NOT** use water to extinguish flare-ups.
- **Have fire extinguisher readily accessible suitable for use with gas appliances.**

### **TO MINIMIZE FLARE-UPS:**

- Trim excess fat from meats prior to cooking.
- Cook meats with high fat contents (chicken or pork) on Low settings or indirectly.
- Ensure that your grill is on level ground and the grease is allowed to evacuate the grill through the drain hole in the bottom and into drip pan.

### **INDIRECT COOKING:**

- Indirect cooking is the process of cooking your food without the heat source being directly under your food. You can sear meats over a high flame on one side of the grill while slow cooking a roast on the other (unlit) side of the grill.

## **ROTISSERIE COOKING:**

- This grill has pre-drilled mounting holes for a rotisserie. Do not use a rotisserie not specifically manufactured for this grill.
- Read and follow all warnings and instructions in the owner's manual provided with the rotisserie. Save instructions for future reference.
- Do not use the side burner when using a rotisserie.
- DO NOT use back rotisserie burner when main burners are in use.

### **⚠ WARNING**

- **When using an AC current rotisserie, it must be electrically grounded in accordance with local codes, or in the absence of local codes:**
  - In the US: The National Electrical Code – ANSI-NFPA No. 70 – Latest Edition
  - In Canada: the Canadian Electrical Code – CSA C22.1
- **The Rotisserie is equipped with a three pronged plug for your protection against electrical shock. This plug should be plugged directly into a properly grounded 3 prong receptacle. Never cut or remove the grounding plug. Any extension cord must also have a 3 prong receptacle.**
- **All electrical supply cords should be kept away from water and any hot surfaces of the grill.**

## **USING OTHER FEATURES OF THE GRILL:**

### **THE SIDE BURNER:**

- The side burner can be used to prepare side dishes such as beans, potatoes, corn, or to warm sauces.
- The burner valve can be adjusted from high to low depending upon your cooking demands.

### **⚠ WARNING**

- **Read instructions on lighting your grill to light the side burner.**
- **Never close the side burner cover when the burner is lit.**
- **Use a 10" diameter pot or smaller that does NOT have an extended handle when cooking on the side burner. Center pot over burner.**
- **Use caution to avoid bumping grill, side burner or pot to prevent pot from spilling contents possibly leading to severe burns.**
- **DO NOT use side burner to deep fry food in oil to avoid dangers associated with oil igniting creating a very dangerous situation.**

# GRILL COOKING TIPS

## CLEANLINESS

- Always wash hands thoroughly with soap and hot water prior to handling food and after handling raw meat, uncooked poultry or seafood.
- When using a platter to carry raw meat, uncooked poultry or seafood to the grill, make sure to wash the platter thoroughly with soap and hot water before placing cooked foods back on the platter or use different platters for raw and cooked foods.
- Never use the same utensils when handling raw meat, uncooked poultry or seafood unless you wash the utensils thoroughly with soap and hot water.
- Never re-use marinade from raw meat or uncooked poultry on foods that have been cooked and are ready to be served.

## GRILLING TO PROPER TEMPERATURE

- Use a meat thermometer to be sure food has reached a safe internal temperature. You may order a Commercial-quality thermometer from Brinkmann. For more information on this product and other Brinkmann accessories, please refer to the accessory pages at the end of this manual.
- The US Department of Agriculture recommends the **minimum** temperature be reached for the following food items:

<b>Chops</b> .....	<b>145° F (62.8° C)</b>	<b>Roasts</b> .....	<b>145° F (62.8° C)</b>
<b>Ground Meat</b> .....	<b>160° F (71° C)</b>	<b>Seafood</b> .....	<b>140° F (60° C)</b>
<b>Pork</b> .....	<b>160° F (71° C)</b>	<b>Vegetables</b> .....	<b>145° F (62.8° C)</b>
<b>Poultry</b> .....	<b>180° F (82° C)</b>		

## HELPFUL HINTS

- If you pre-cook meat or poultry, do so immediately before grilling.
- Never defrost meat at room temperature or on a countertop.
- Refrigerate leftovers within 2 hours of taking food off the grill.
- For additional information, please phone the USDA's toll free Meat & Poultry Hotline at 800-535-4555.

## PROPER CARE & MAINTENANCE

- To protect your grill from excessive rust, the unit must be kept clean and covered at all times when not in use. A grill cover may be ordered directly from Brinkmann by calling 800-468-5252 or 800-527-0717.
- Wash cooking grills with hot, soapy water, rinse well and dry. Lightly coat cooking grill with vegetable oil or vegetable oil spray.
- Clean inside and outside of grill by wiping off with a damp cloth. Apply a light coat of vegetable oil or vegetable oil spray to the interior surface to prevent rusting.
- The exterior surface of your grill, can be cleaned with stainless steel cleaner.
- Never apply paint to the interior surface. Rust spots on the interior surface can be buffed, cleaned, then lightly coated with vegetable oil or vegetable oil spray to minimize rusting.
- To protect granite countertops against stains and discoloration, use a high quality penetrating sealant made specifically for granite. The sealant should be applied periodically throughout the year.
- For standard maintenance on granite countertops, wipe with warm water or mild soapy water. Cleaners made specifically for cleaning granite may be used as necessary. Do not use vinegar, cleaners that contain acid, abrasive cleaners, or furniture polish. We suggest the following routine care:
  - Clean up spills immediately;
  - Dust with an untreated cloth;
  - Use coasters;
  - Keep planters off the surface;
  - Always keep covered when not in use.
- For standard maintenance on fiberglass walls, wipe with warm water or mild soapy water. Do not use vinegar, cleaners that contain acid, abrasive cleaners, or furniture polish. Keep covered when not in use.

## CLEANING AND MAINTENANCE:

- Keep the appliance free and clear of combustible materials, gasoline and other flammable vapors and liquids.
- Keep the ventilation openings free and clear of debris.
- Visually check burner flames for proper operation (see pictorial in "Burner Assembly/Maintenance" under Proper Care and Maintenance). Spiders or other insects can nest in the burner causing gas blockage.
- For safe grilling and peak performance of your grill, perform these checks at least twice per year or after extended periods of storage.
- Be sure to tighten up all hardware (nuts, bolts, screws, etc.) at least twice per year.

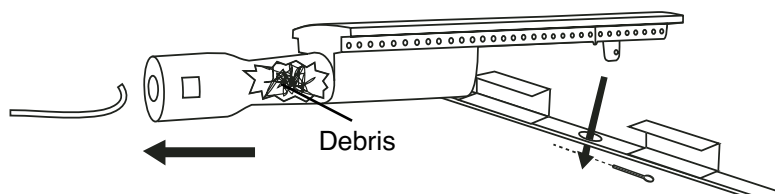
**⚠ CAUTION!** Some parts may contain sharp edges. Wear protective gloves if necessary.

- Remove the cooking grills, heat distribution plates, and burners from inside your grill. Use a brush with hot water and detergent to remove excess residue. NEVER use a commercial oven cleaner. Rinse completely with water. Towel dry and replace all components as described in the assembly instructions.

## BURNER ASSEMBLY/MAINTENANCE

- Although your burners are constructed of brass, they may rust as a result of the extreme heat and acids from cooking foods. Regularly inspect the burners for cracks, abnormal holes, and other signs of corrosion damage. If found, replace the burner.
- **DO NOT obstruct the flow of combustion and ventilation air.** Burner tubes can become blocked by spiders and other insects building their nests. Blocked burner tubes can prevent gas flow to the burners and could result in a burner tube fire or fire beneath the grill. To clean the Burner Assembly follow these instructions to clean and/or replace parts of burner assembly or if you have trouble igniting the grill.

1. Turn gas off at control knobs and natural gas supply.
2. Remove cooking grills and heat distribution plates.
3. Remove cotter pins from beneath each burner "foot" using a screwdriver or needle nose pliers.
4. Carefully lift each burner up and away from valve openings.
5. Use a narrow bottle brush or a stiff wire bent into a small hook to run through each burner tube and flame port several times.

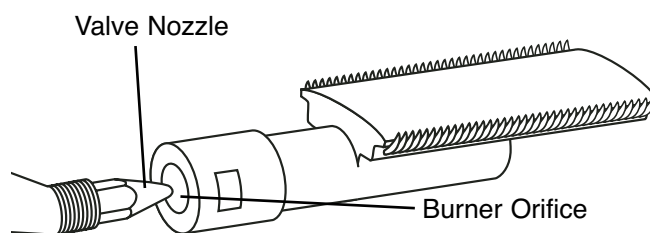


**Note: Wear eye protection when performing procedure 6.**

6. Use compressed air to blow into burner tube and out the flame ports. Check each port to make sure air comes out each hole.
7. Wire brush entire outer surface of burner to remove food residue and dirt.
8. Check burner for damage, if any large cracks or holes are found replace burner.

**IMPORTANT: Burner opening must slide over valve nozzle.**

9. Carefully replace burners.
10. Replace cotter pins beneath each burner and follow the "Gas Leak Testing" section of this manual. Relight burners to verify proper operation.
11. Replace heat distribution plates and cooking grills.



**PROPER BURNER OPERATION**

## COOKING GRILLS

- Clean with mild soap detergent and water. A brass bristled brush or a nylon cleaning pad can be used to remove residue from the stainless steel surfaces. Do not use steel wire bristles to clean the porcelain coated cooking grills. Steel can cause the finish to chip or crack. **DO NOT** use a commercial oven cleaner.

## HEAT DISTRIBUTION PLATES

- Periodically, it may be necessary to inspect and clean the heat distribution plate to prevent excess grease build-up. When the grill is cold, remove the cooking grill. Inspect the heat distribution plates and replace if broken or damaged. Do not allow heat distribution plates to become damaged to the extent that they may fall through onto the burners. Replace the heat distribution plates and cooking grills and light the burners. Operate the grill on "HIGH" for 10 minutes to remove the excess grease.

## **⚠ WARNING**

### **TRANSPORTING AND STORAGE:**

- **Never move a grill when it is hot or when objects are on the cooking surfaces.**
- **Make sure that the natural gas supply is shut off. After moving the grill check that all gas connections are free of leaks. Refer to instructions for Leak Testing.**
- **DO NOT store a spare LP gas cylinder (filled or empty) under or near the grill.**
- **Never store flammable liquids or spray canisters under or near the grill.**
- **DO NOT extinguish grease fires using water.**
- **If the outdoor cooking gas appliance is not in use, the gas must be turned off at the natural gas supply.**
- **Storage of an outdoor cooking gas appliance indoors is permissible only if the natural gas supply is disconnected and removed from the outdoor cooking gas appliance.**
- **When removing the grill from storage, spider webs or other debris may be blocking the burner. See "Burner Assembly/Maintenance" under Proper Care and Maintenance.**

### **BEFORE STORING YOUR GRILL:**

- Ensure that the natural gas supply has been turned off.
- Clean all surfaces.
- Lightly coat the burners with cooking oil to prevent excess rusting.
- If storing the grill indoors, disconnect the hose from the natural gas supply.
- Clean burner prior to use after storing, at the beginning of grilling season or after a period of one month not being used. Spiders and insects like to build nests in burner tubes (especially during colder months). These nests can cause fires in burner tubes or under grill.
- If storing the grill outdoors, cover the grill with a grill cover for protection from the weather. A grill cover may be ordered directly from Brinkmann by calling 800-468-5252 or 800-527-0717.



## TROUBLE SHOOTING

<b>Problem:</b>	<b>Possible Causes:</b>
<ul style="list-style-type: none"> <li>• <b>Burner will not light</b></li> </ul>	<ol style="list-style-type: none"> <li>1. Check natural gas supply.</li> <li>2. Bad electrode spark. Check to see if the grill will match light. Electrode or collector may need adjustment.</li> <li>3. Burner may not be properly seated.</li> <li>4. Burner may be obstructed.</li> </ol>
<ul style="list-style-type: none"> <li>• <b>Fire at control knob</b></li> </ul>	<ol style="list-style-type: none"> <li>1. Burner holes may be obstructed. See section on "Burner Assembly/Maintenance" under Proper Care and Maintenance.</li> <li>2. Burner is improperly seated on control valve.</li> <li>3. Gas connections may be loose. Leak Check and tighten all connections.</li> </ol>
<ul style="list-style-type: none"> <li>• <b>Yellow Flames at burner</b></li> </ul>	<ol style="list-style-type: none"> <li>1. Burner is obstructed. See section on "Burner Assembly/Maintenance" under Proper Care and Maintenance.</li> </ol>
<ul style="list-style-type: none"> <li>• <b>Flame blows out on "LOW"</b></li> </ul>	<ol style="list-style-type: none"> <li>1. Burner holes may be obstructed. See section on "Burner Assembly/Maintenance" under Proper Care and Maintenance.</li> <li>2. Grill is not sufficiently preheated.</li> <li>3. Burner is improperly seated on control valve.</li> </ol>
<ul style="list-style-type: none"> <li>• <b>Grill is Too Hot</b></li> </ul>	<ol style="list-style-type: none"> <li>1. Excess grease build-up causing grease fires.</li> <li>2. Cook on a lower temperature setting.</li> </ol>

## FREQUENTLY ASKED QUESTIONS

Your grill's serial number and model number, and the contact information for Brinkmann Customer Service, are listed on a silver label found on the back of the grill or on the grill body side, under the side shelf.

These questions and answers are for your general knowledge, and may not be applicable to your model grill.

### **Question: Why does my grill not light properly?**

**Answer:** Always follow lighting instructions as listed on the control panel or in this manual. Also check these causes:

- Check natural gas supply.
- Check to ensure all gas connections are secure.
- The igniter AA battery may need replacing.
- Ignition wires may be loose. Remove the battery, inspect the igniter junction box found behind the control panel and connect any loose wires.
- Spark electrode tips may need repositioning. With the gas supply closed and control knob set to the "OFF" position, press the igniter button and have another person watch for the presence of a spark at the electrode tips. The gap between the spark electrode tip and spark receiver should be about 3/16". If the electrode tip needs to be adjusted, bend it to the appropriate gap distance.
- Check that the end of each burner venturi tube is properly located over its gas valve orifice fitting.
- There may be an obstruction in the gas line. To correct this, remove gas supply line from Quick-disconnect coupler. Open gas supply for one second to test for obstruction. If no obstruction is present, reconnect fuel line. If the fuel line is blocked, please contact your local natural gas company.

### **Question: How and when do I clean the interior cooking components of my grill?**

**Answer:** Use a fiber or brass cleaning brush to clean the interior of the grill, cooking grills, heat distribution plates and grease containers. Never use a wire brush or metal scraper on porcelain-finished parts, as they can scratch or chip the porcelain finish and promote rusting.

**Cleaning Stainless Steel Cooking Grills:** Wash grills with a mild detergent and rinse with hot water before initial use and as needed. DO NOT use a commercial oven cleaner. For stubborn food residue, use a degreaser and fiber or brass cleaning brush.

**Cleaning Porcelain-Finished Cast-Iron Cooking Grills:** Wash grills with a mild detergent and rinse with hot water before initial use and as needed. For stubborn food residue, use a degreaser and fiber or brass cleaning brush. Dry immediately using a soft cloth or paper towels.

**Cleaning Heat Distribution Plate:** Heat distribution plates should be cleaned whenever food or grease drippings accumulate to reduce the chance of flare-ups. Wash heat distribution plates with a mild detergent and rinse with hot water. Use a degreaser and fiber or brass cleaning brush to remove stubborn food residue. Do not use a wire brush or metal scraper on porcelain-finished heat distribution plates, as they can scratch or chip the porcelain finish and promote rusting.

**Cleaning the Grease Tray and/or Grease Cup:** The grease tray and/or grease cup (some models) should be inspected before each grill use to reduce the chance of fire. Remove grease (a plastic spatula works well) and wash all parts with a mild soap or degreaser and warm water solution.

### **Question: What causes grill parts to rust and what affect does it have on the grill materials?**

**Answer:** Rusting is a natural oxidation process and may appear on cast-iron and steel parts. Rust will not affect the short-term performance of your grill. Stainless steel grill parts will not rust. However, weathering and extreme heat can cause a stainless steel lid to turn a bronze color. This is discoloration, not rust, and is not considered a manufacturing defect.

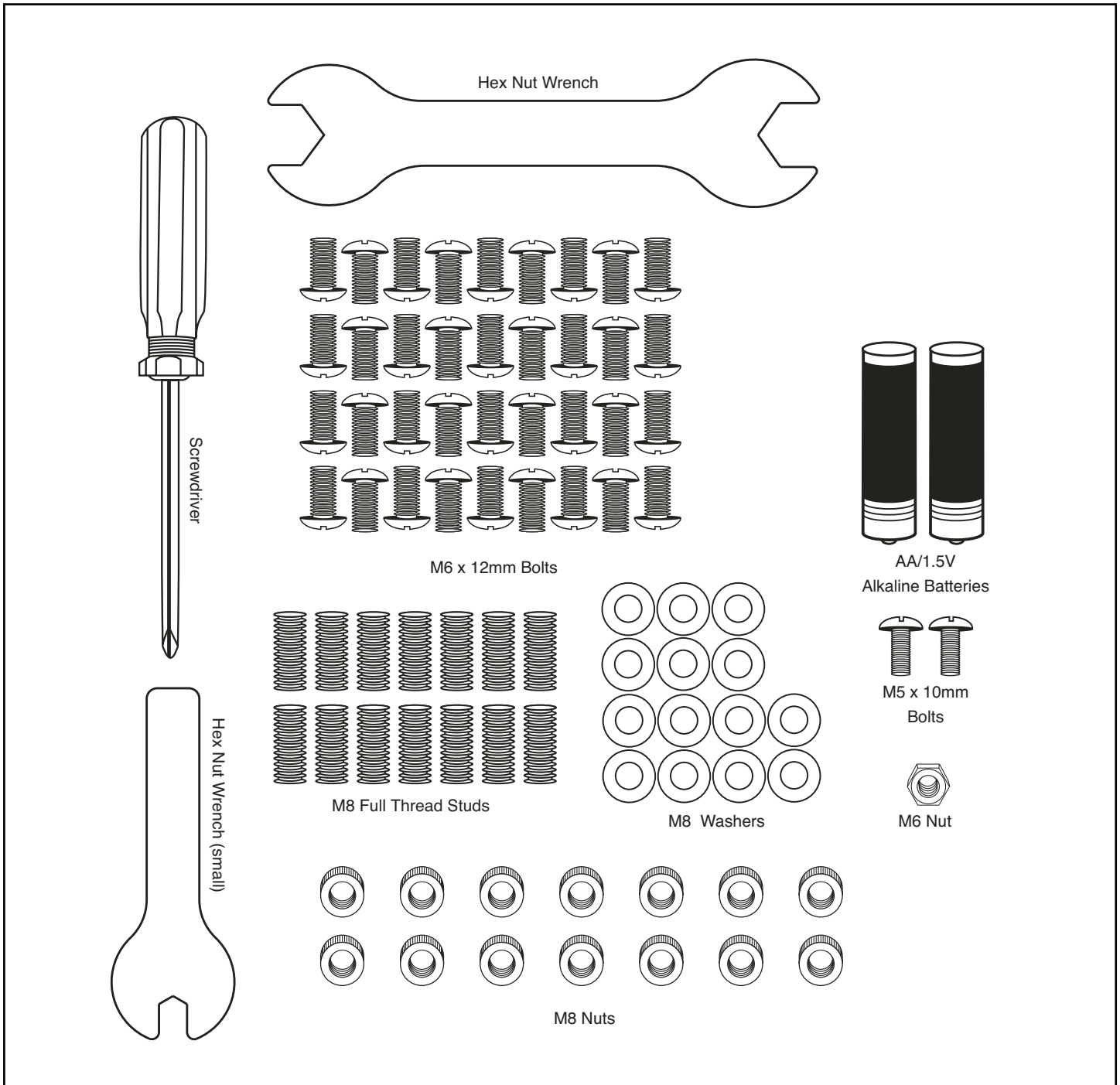
### **Question: What causes my stainless steel grill lid to discolor and how do I clean my grill lid?**

**Answer:** Smoke, weathering and high heat can cause a stainless steel grill lid to turn bronze in color. This is not to be confused with rust and is not a product defect. Machine oils used in the manufacturing process of stainless steel as well as cooking oils and a dirty grill lid can also encourage discoloration if the lid is not cleaned prior to grill use. After your grill is assembled, remove the protective PVC film from your grill lid and use a stainless steel cleaner and soft cloth to remove residual adhesive and oils from the inside and outside of your grill lid. Never use abrasive cleaners or scrubbers. In addition to the initial cleaning, routine cleaning to remove dirt, grease and oils will help discourage lid discoloration.

# PARTS BAG CONTENTS

Make sure you have all items listed under **PARTS LIST** and **PARTS CARD CONTENTS** before you begin the installation process. Your Parts Card will include:

Qty.	1	Hex Nut Wrench	2	M5 x 10mm Bolts
	1	Screwdriver	14	M8 Full Thread Studs
	1	Hex Nut Wrench (small)	14	M8 Washers
	1	M6 Nut	14	M8 Nuts
	2	AA/1.5V Alkaline Batteries	36	M6 x 12mm Bolts



# ASSEMBLY INSTRUCTIONS

**⚠ READ ALL SAFETY WARNINGS & ASSEMBLY INSTRUCTIONS CAREFULLY BEFORE ASSEMBLING OR OPERATING YOUR GRILL.**

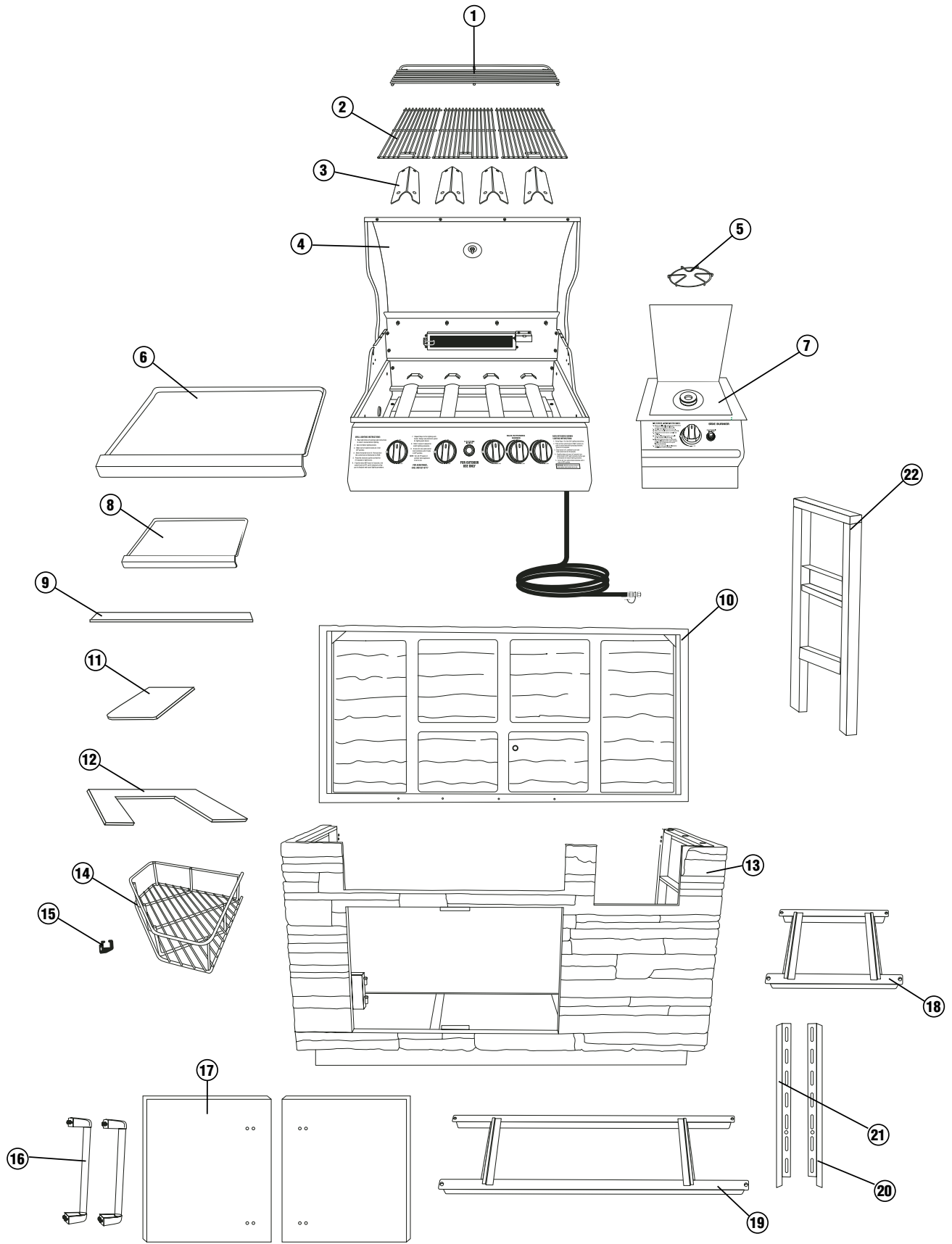
**WE RECOMMEND THREE PEOPLE WORK TOGETHER WHEN ASSEMBLING THIS UNIT.**

The following provided tools are required to assemble this Natural Gas Grill Island 6830 Gas Grill:

- **Screwdriver (Included)**
- **Hex Nut Wrench (Included)**

## **PARTS LIST:**

①	1	Warming Rack	⑫	1	Right Side Granite Top
②	3	Cooking Grills	⑬	1	Grill Base
③	4	Heat Distribution Plates	⑭	1	Basket
④	1	Grill Body Assembly	⑮	1	Basket Guide
⑤	1	Side Burner Grate	⑯	2	Door Handles
⑥	1	Main Grease Tray	⑰	2	Doors
⑦	1	Side Burner Assembly	⑱	1	Side Burner Support
⑧	1	Side Burner Grease Tray	⑲	1	Grill Body Support
⑨	1	Back Granite Top	⑳	1	Left Grill Side Trim
⑩	1	Back Panel	㉑	1	Right Grill Side Trim
⑪	1	Left Side Granite Top	㉒	1	Middle Grill Base Bracket



**FOR MISSING PARTS, PLEASE CALL CUSTOMER SERVICE AT 800-527-0717.**

(Proof of purchase will be required.)

Inspect contents of the box to ensure all parts are included and undamaged.

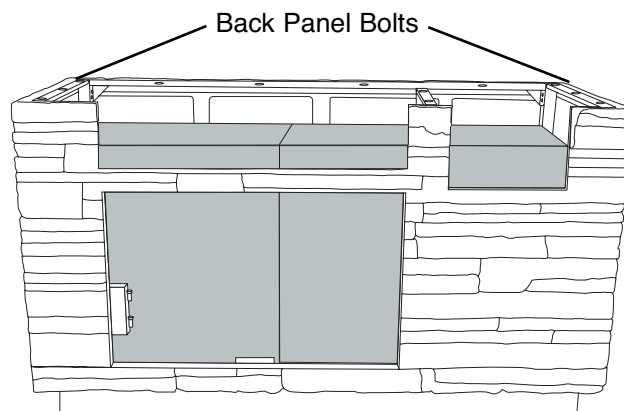
Choose a good, cleared assembly area and get a friend to help you put your grill together. Lay cardboard down to protect grill finish and assembly area.

**⚠ CAUTION!** Some parts may contain sharp edges. Wear protective gloves if necessary.

### Step 1

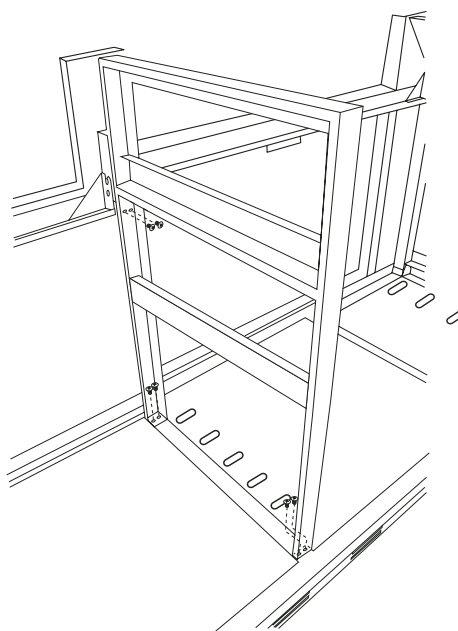
Remove the two bolts from the top corner of the back panel. With the help of a friend, lift the back panel out and take it to a clear area. Remove all the parts boxes from the base.

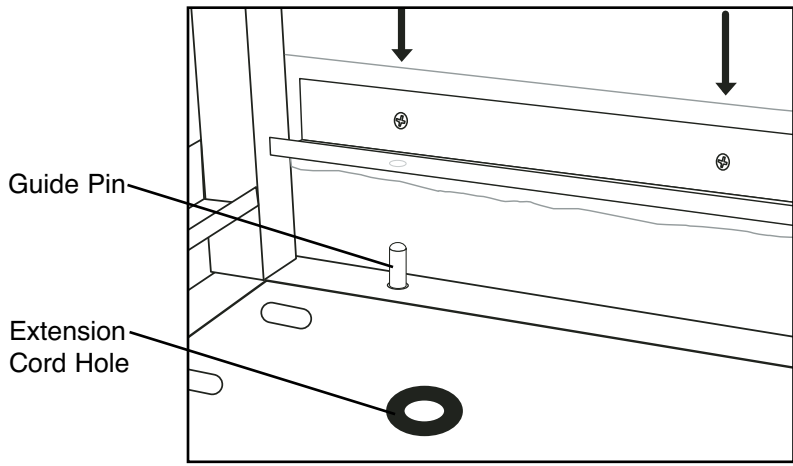
**Note:** Keep these two bolts, do not throw them away. They will be used in Step 3.



### Step 2

Add six M6 x 12mm bolts to the middle grill base bracket as illustrated and tighten securely.

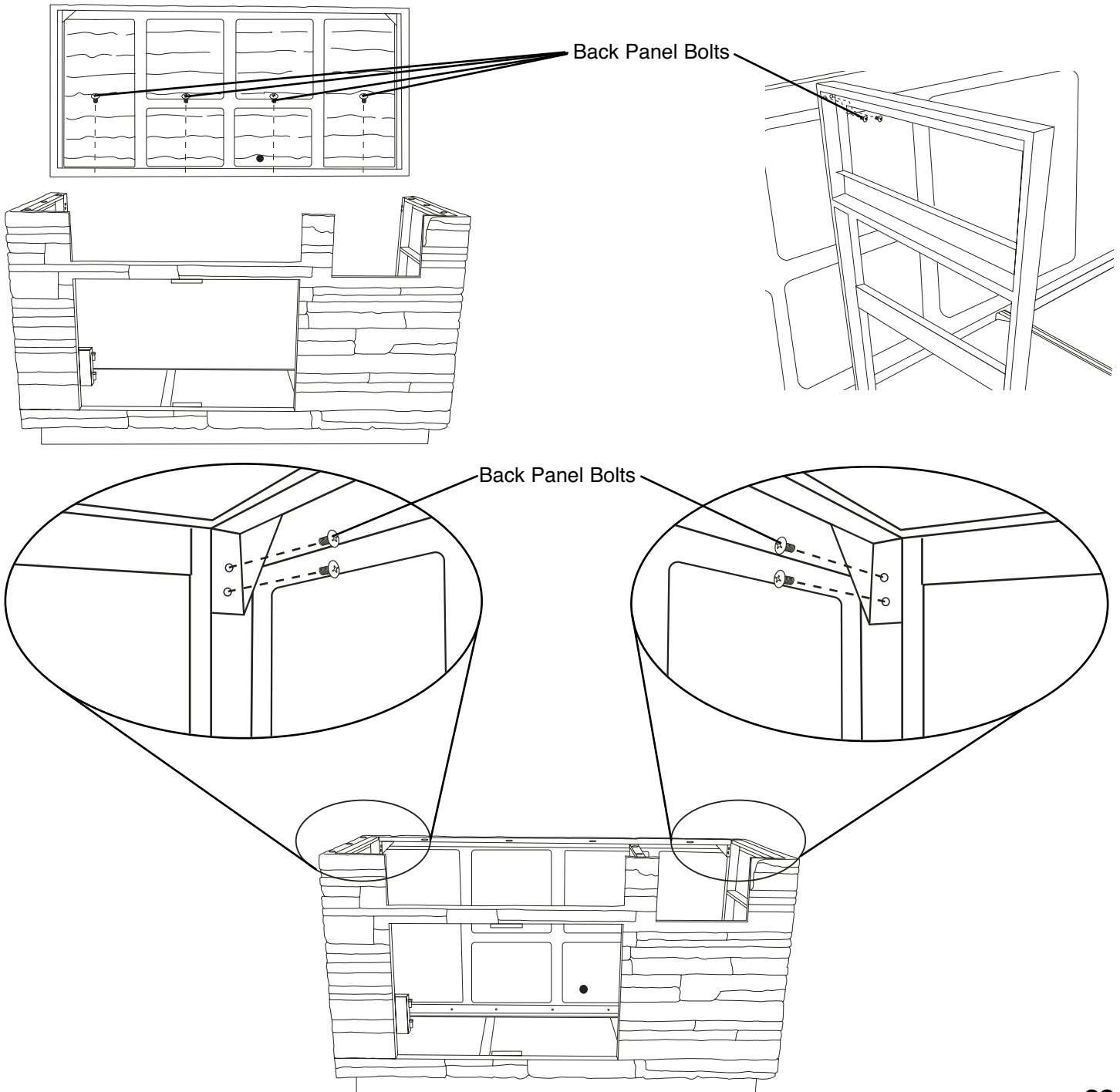




### Step 3

With the help of a friend, attach the back panel to the Grill Island base by using ten M6 x 12mm bolts. First, align the two holes to the guide pins which are located at the bottom of the island base.

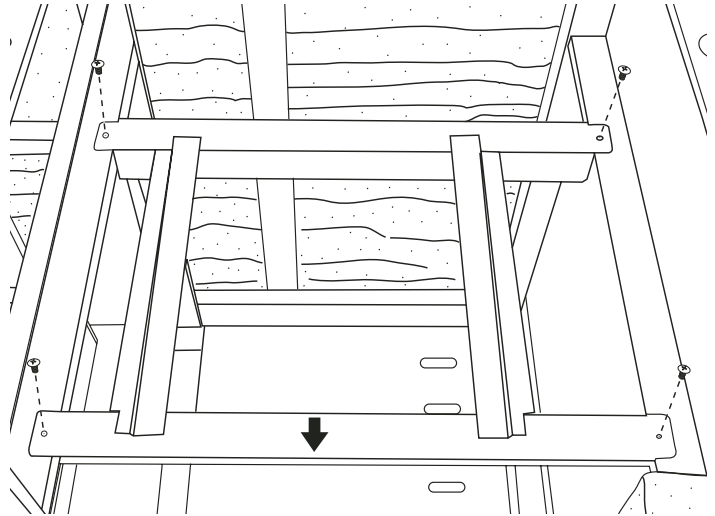
Note: This will include the two bolts which come from Step 1.



#### Step 4

Attach the side burner support bracket onto right side of the grill island by using four M6 x 12mm bolts.

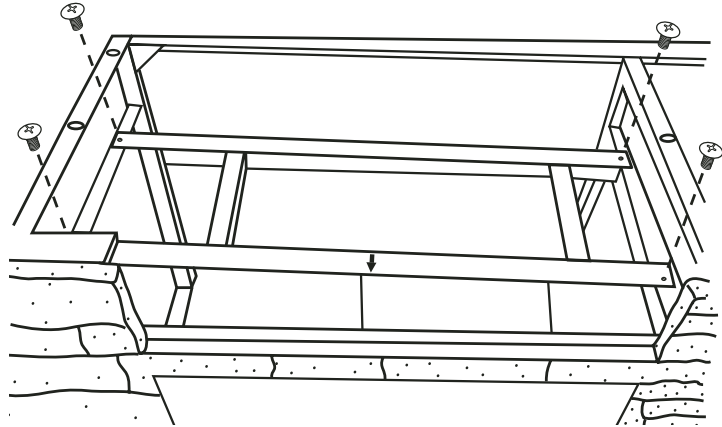
Note: Make sure the arrow is facing to front.



#### Step 5

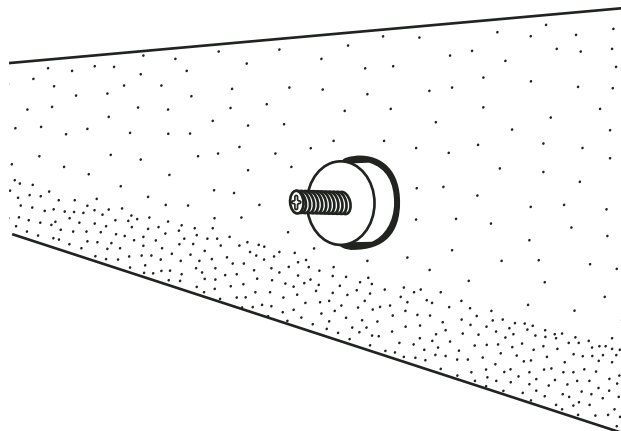
Attach the grill support bracket onto left side of the Grill Island by using four M6 x 12mm bolts.

Note: Make sure the arrow is facing to front.

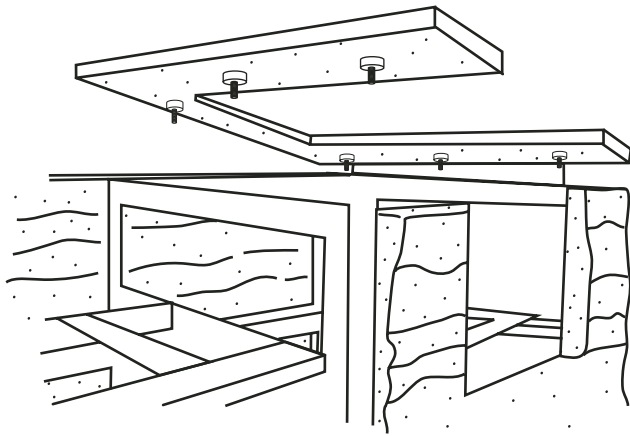


#### Step 6

Insert M8 full thread studs into the bottom of the granite tops. Total of fourteen studs to three granite tops.



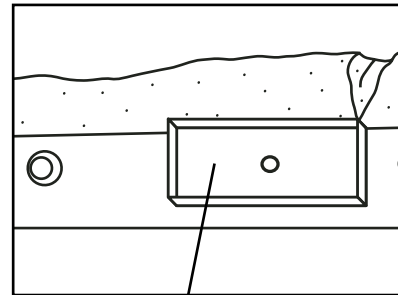
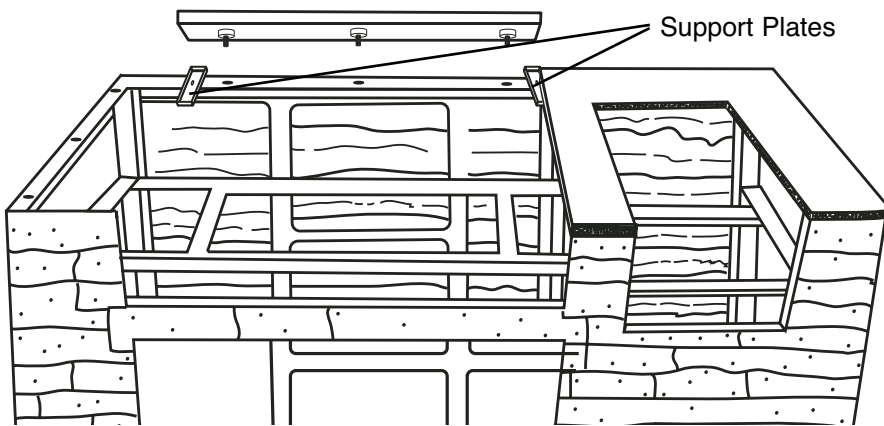




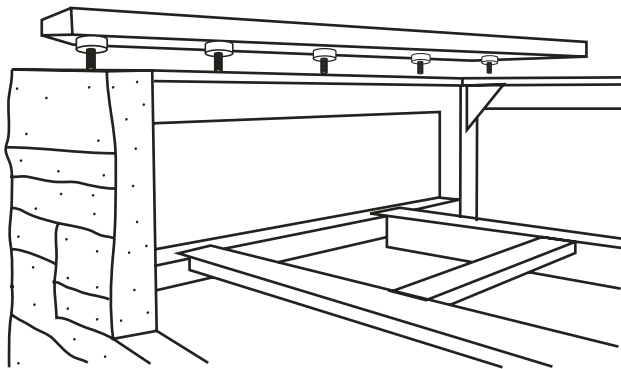
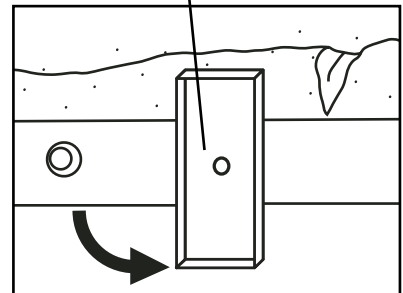
### Step 7

Attach the granite tops by aligning the M8 threaded studs into the rubber ringed holes which are located on the top of the Grill Island base. Secure granite top to base using round washers and M8 nuts applied to each threaded stud. (Hand tighten only)

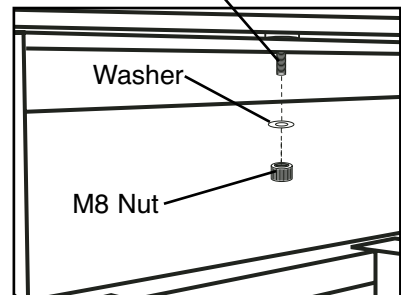
Note: Before attaching the back granite piece turn support plates 90 degrees.



Support Plates

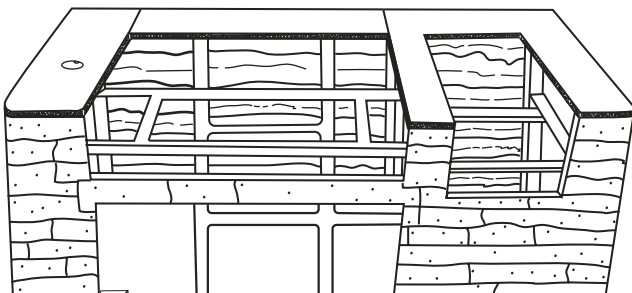


Threaded Stud



Washer

M8 Nut

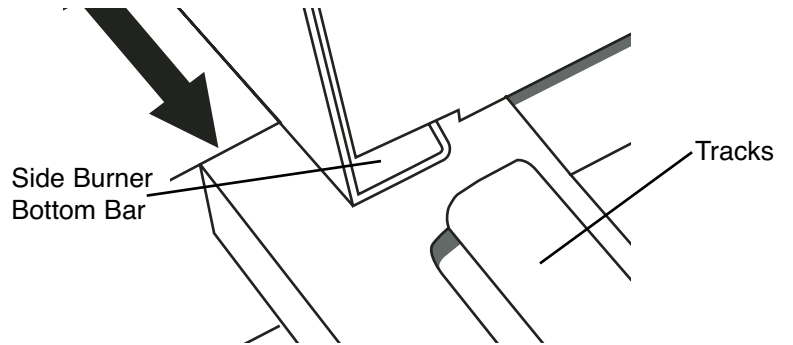
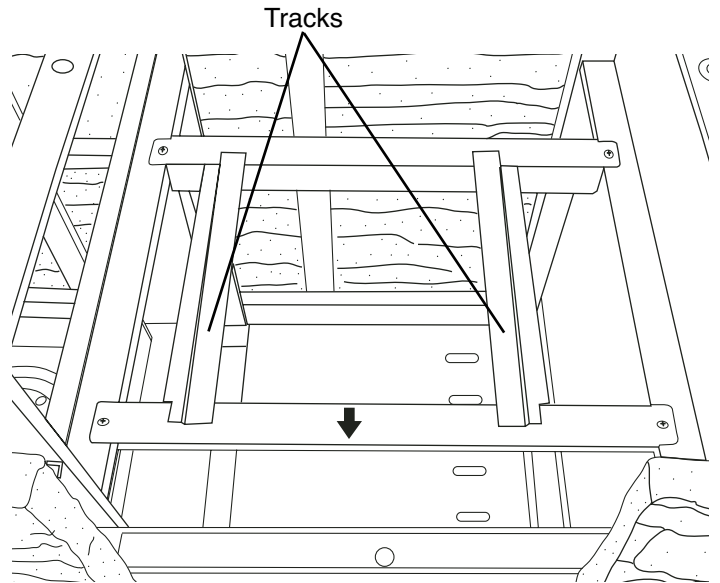
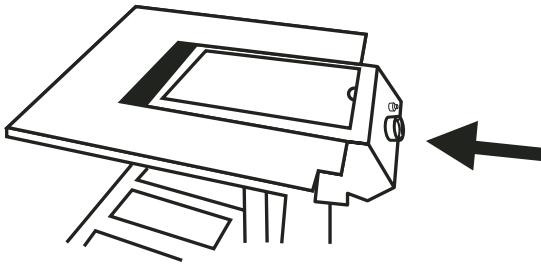


Note: After granite top installation, seams can be filled with clear silicone caulk for a more finished appearance.

Note: Lift the side burner from front and rear panels to avoid injury to hands and fingers.

### Step 8

Attach the side burner onto the right side of the grill base. Align the side burner bottom bar to the tracks on the side burner support, then slide it backward until it locks in place.

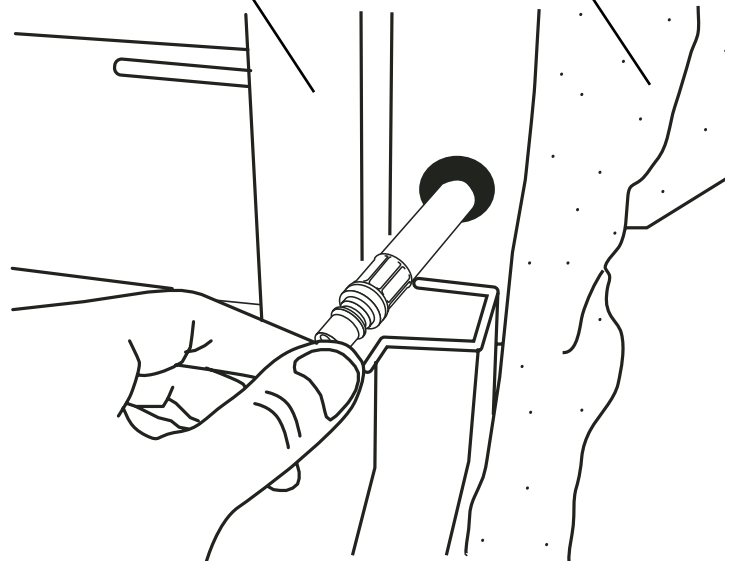
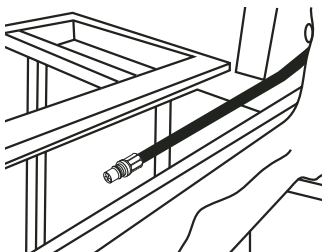


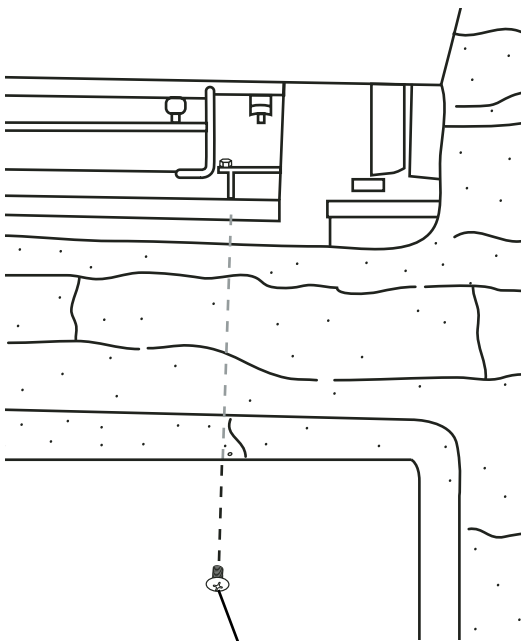
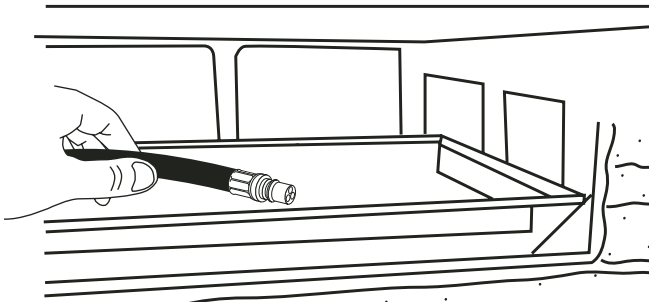
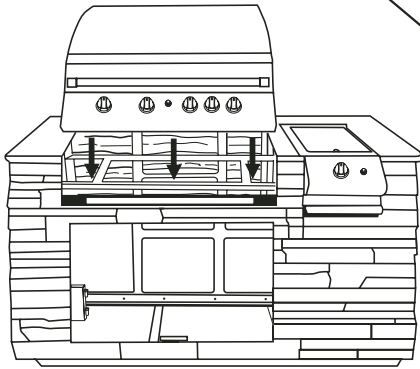
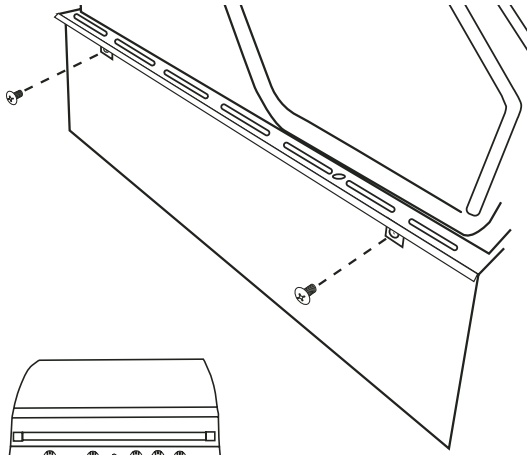
Middle Grill  
Base Bracket

Rock Fascia

### Step 9

Then pull the hose out from the hole which is located at the left side of the side burner assembly.





M6 x 12mm bolt

### Step 10

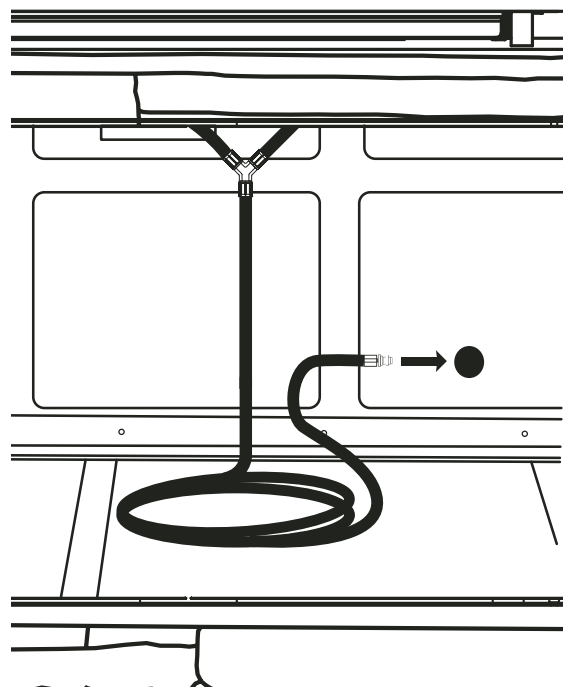
Attach the grill body side trim to the grill side end cap by using two M6 x 12mm bolts. Repeat for other end cap.

### Step 11

With the help of a friend, (we recommend 3 to 4 people to assembly the grill body) place grill body assembly on Grill Island. Make sure the hose and coupler fitting will pass through the front gap between the front panel and grill body support bracket. Then align the two holes at the bottom front grill bracket to the grill support bracket, then tighten securely by using two M6 x 12mm bolts.

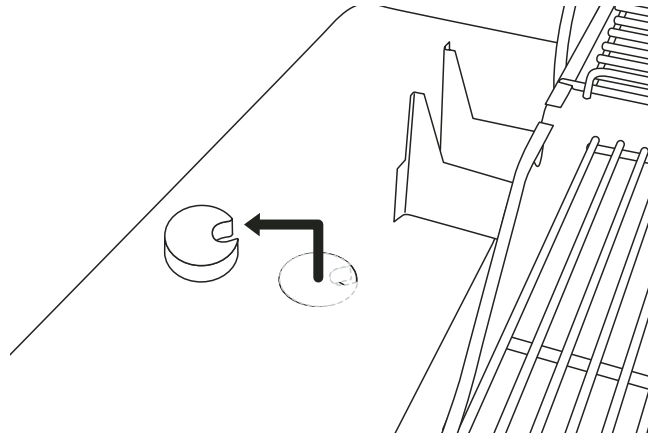
### Step 12

Route the hose through the opening in the back panel for connection to the quick-disconnect coupler.



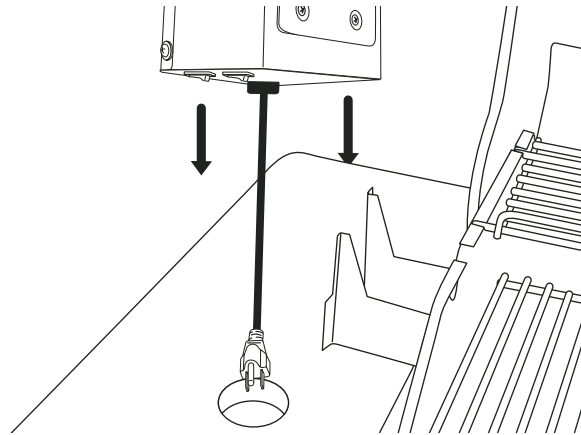
**Step 13**

Remove pre-cut granite plug and insert rotisserie motor cord through opening.



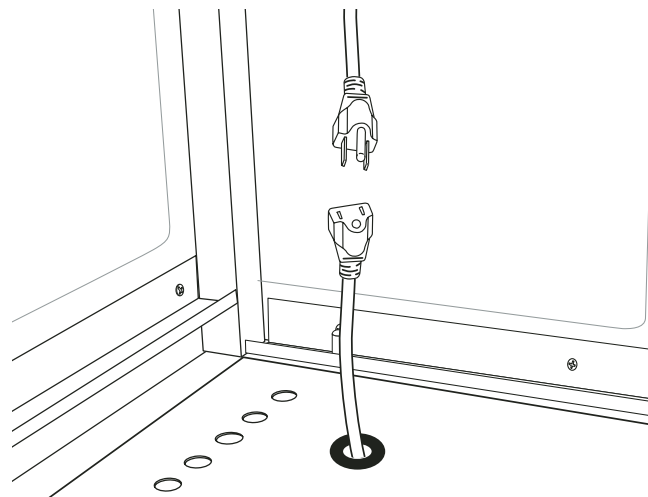
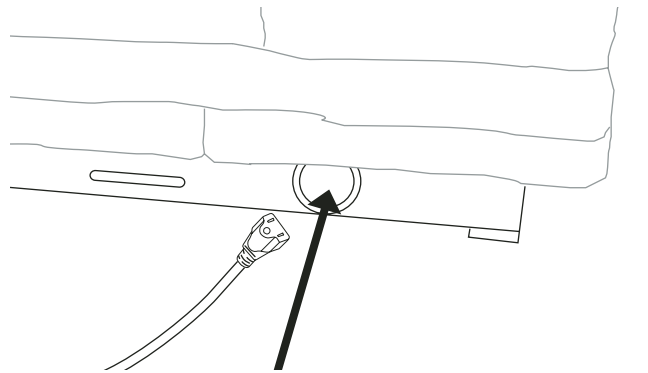
**Step 14**

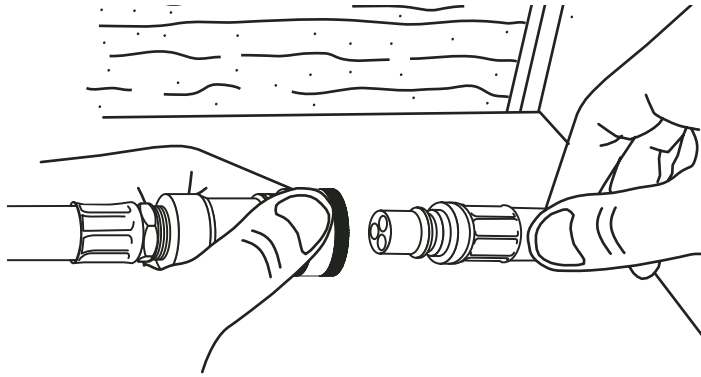
Slide rotisserie motor onto the rotisserie motor bracket. Replace granite plug into granite top.



**Step 15**

Feed extension cord (not provided) through back panel of base unit and up through inside of grill cabinet base hole. Plug rotisserie motor cord into extension cord plug.



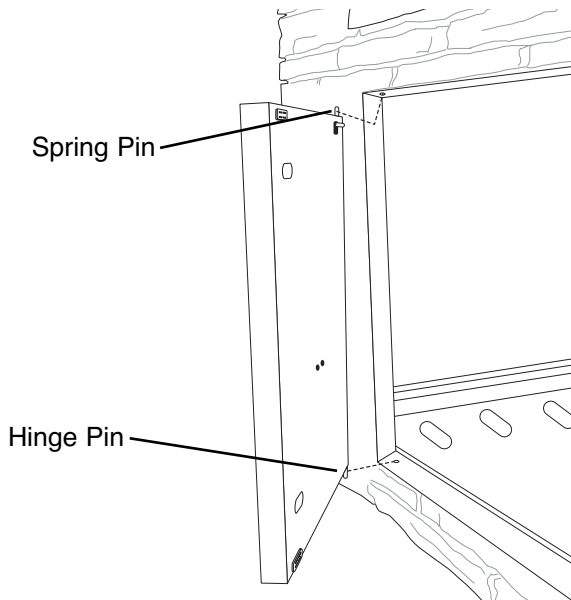


### Step 16

Connect the side burner hose to the grill body hose by inserting the fitting into the quick connect coupler.

### Step 17

Insert hinge pin in bottom of left side door into hole at the bottom left door frame then align door with left side door frame. Depress spring pin located on top edge of door and slide door toward left side door frame until spring pin locks into hole in door frame. Repeat for other door.

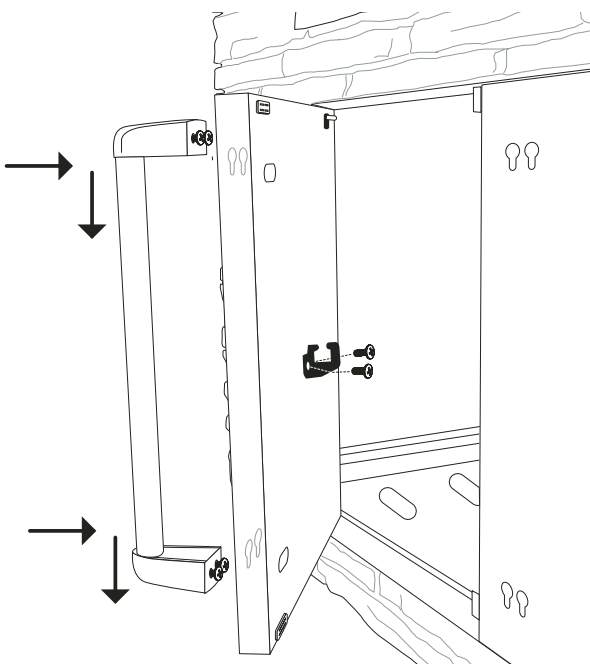


### Step 18

To attach the door handle to the door, insert four M6 x 12mm bolts halfway onto the door handle stand. Align the bolts to the keyholes which are located on the door panel, and slide down. Then tighten the four bolts securely. Repeat for other door.

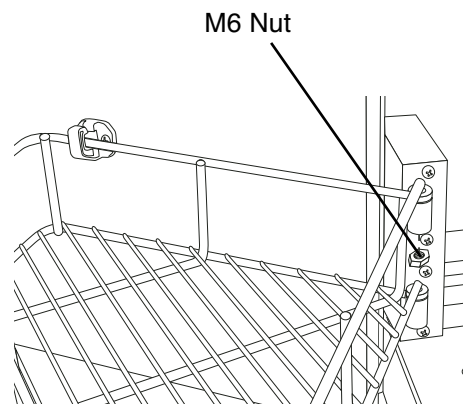
### Step 19

Attach basket bracket guide using two M5 x 10mm bolts.



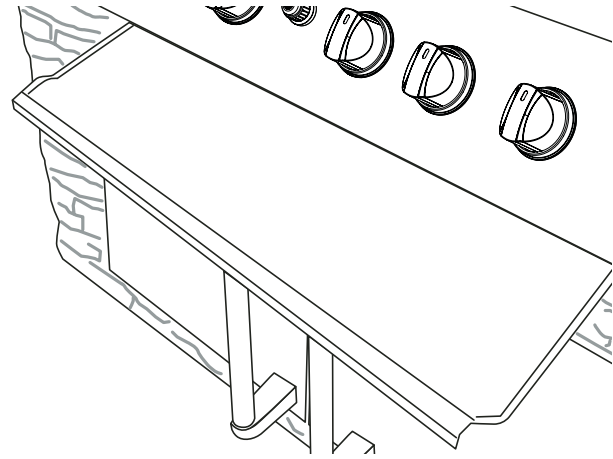
### Step 20

Place the basket into the basket brackets and basket guide. Then fasten it by using a M6 nut, and tighten securely using small hex nut wrench.



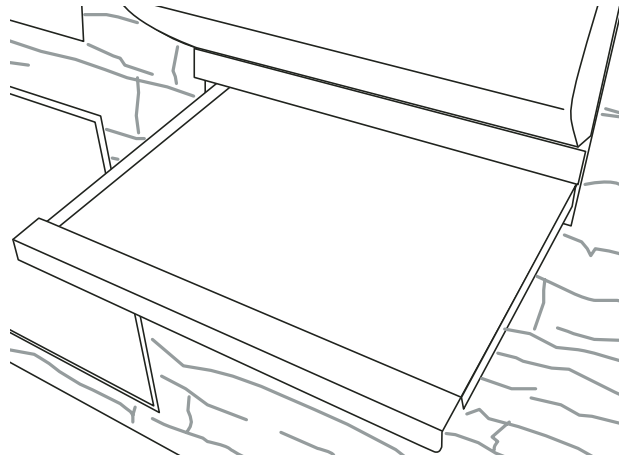
### Step 21

Insert main burner grease tray into opening on front side of main burners.



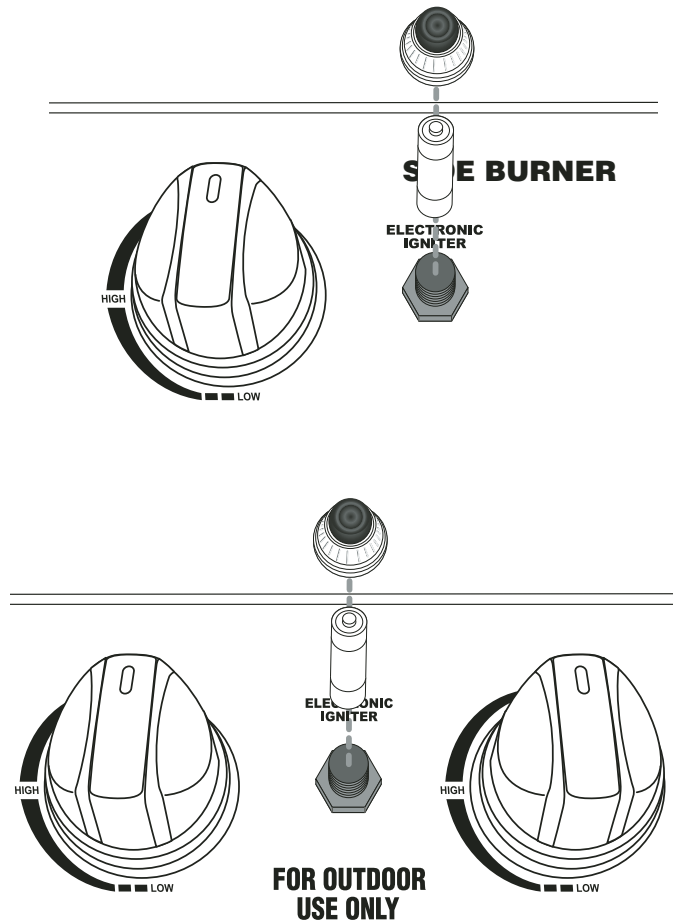
### Step 22

Insert side burner grease tray into opening on front side of side burner.



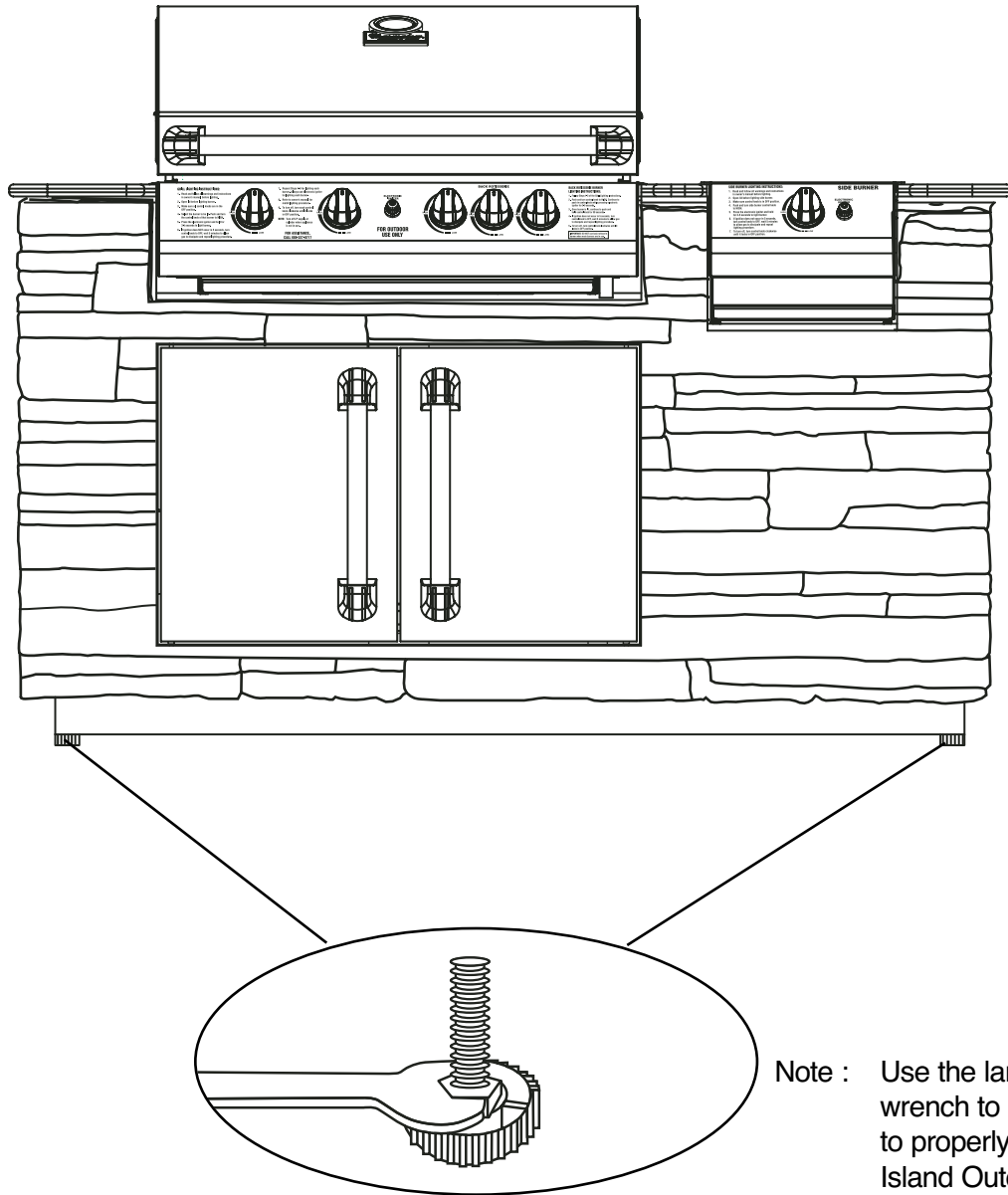
### Step 23

Remove the side burner igniter cap and insert battery with positive end of battery toward igniter cap. Replace igniter cap and make sure the igniter is working properly. Repeat for grill burner igniter.





## Charmglow Grill Island (Assembled)




Note : Use the large hex nut wrench to adjust grill feet to properly level your Grill Island Outdoor Gas Grill.





# IMPORTANTES ADVERTENCIAS DE SEGURIDAD

ES NUESTRO DESEO QUE ARME Y UTILICE SU PARRILLA EN LA FORMA MÁS SEGURA POSIBLE. EL PROPÓSITO DE ESTE SÍMBOLO DE ALERTA DE SEGURIDAD  ES QUE USTED PRESTE ATENCIÓN A LOS POSIBLES PELIGROS CUANDO ARME Y UTILICE SU PARRILLA.

¡CUÁNDO VEA ESTE SÍMBOLO DE ALERTA DE SEGURIDAD  PRESTE ESPECIAL ATENCIÓN A LA INFORMACIÓN A CONTINUACIÓN!

 LEA DETENIDAMENTE TODAS LAS ADVERTENCIAS DE SEGURIDAD E INSTRUCCIONES ANTES DE ARMAR Y USAR LA PARRILLA.

## PELIGRO

SI HUELE GAS:

1. Apague el gas al artefacto.
2. Apague cualquier llama expuesta.
3. Abra la tapa.
4. Si el olor persiste, subsistencia lejos de la aplicación y llame de inmediato a su proveedor de gas o a los bomberos.

## ADVERTENCIA

1. No guarde ni use gasolina ni otros líquidos inflamables con vapores en las cercanías de este o de ningún otro artefacto.
2. Un cilindro de propano líquido que no esté conectado para ser utilizado no debe ser mantenido cerca de éste o ningún otro artefacto.

## PELIGRO



- NO guarde cilindros de gas de propano líquido debajo o cerca de este artefacto.
- Se puede producir un incendio y causar lesiones o hasta la muerte si no se siguen estas instrucciones en forma exacta.

# ÍNDICE

Advertencias generales . . . . .	34
Instalación, especificaciones y uso seguro . . . . .	35
Conexión de la manguera a la fuente del gas natural . . . . .	36
Pruebas de detección de fugas . . . . .	37–38
Lista de verificación preliminar al encendido . . . . .	38
Instrucciones de encendido . . . . .	39–41
Funcionamiento de la parrilla y recomendaciones útiles . . . . .	42–44
Cuidado y mantenimiento apropiados . . . . .	44–46
Transporte y almacenaje . . . . .	46
Identificación y resolución de problemas . . . . .	47
Preguntas frecuentes . . . . .	47–48
Lista de partes e instrucciones de armado . . . . .	49–62
Información de la garantía . . . . .	Cubierta trasera

**⚠ PELIGRO:** Indica una situación peligrosa inminente la cual, si no se evita, producirá lesiones graves o aún la muerte.

**⚠ ADVERTENCIA:** Manténgase alerta a la posibilidad de lesiones corporales graves si no se siguen las instrucciones. Asegúrese de leer y seguir cuidadosamente todos los mensajes.

**⚠ PRECAUCIÓN:** Indica una situación posiblemente peligrosa la cual, si no se evita, puede producir lesiones menores o moderadas.

# ADVERTENCIAS GENERALES

## ⚠ ADVERTENCIA

- Nunca use gas de propano líquido (LP) en una unidad diseñada para gas natural.
  - Nunca use briquetas de carbón o fluido de encendedor en una parrilla de gas.
  - Realice una prueba de detección de fugas en todas las conexiones antes de usar la parrilla por primera vez, aún si compró la parrilla armada y después de cada conexión de suministro de gas natural.
  - Nunca use un cerillo o llama expuesta para detectar fugas.
- ⚠ ¡CUIDADO!** Los olores fuertes, los resfríos o la congestión nasal pueden impedir la detección de gas natural. Sea precavido y utilice sentido común cuando realice pruebas de detección de fugas.
- Siempre mantenga la parrilla de gas alejada de la gasolina, diluyente de pintura u otros vapores o líquidos inflamables o materiales combustibles.
  - Siempre revise la parrilla antes de cada uso, tal como se indica en la sección "Lista de verificación preliminar al encendido" de este manual.
  - NO obstruya el flujo del aire de combustión o ventilación.
  - Nunca coloque más de 15 libras sobre la hornilla lateral. NO se apoye sobre el mesón de la hornilla lateral.
  - Mantenga a los niños y las mascotas alejados de la parrilla caliente. NO permita que los niños usen o jueguen cerca de esta parrilla.
  - NO deje la parrilla desatendida mientras está en uso.
  - NO permita que la manguera de gas haga contacto con superficies calientes.
  - NO permita que la grasa del agujero de drenaje caiga sobre la manguera.
  - Mantenga todos los cables de alimentación eléctrica alejados del agua o superficies calientes.
  - Mantenga a mano un extinguidor de incendios aceptable para usar con productos de gas. Consulte con su autoridad local para determinar el tamaño y tipo correctos.
  - Para uso doméstico únicamente. NO use esta parrilla para ningún propósito que no sea el previsto.
  - NO use la parrilla bajo la influencia de alcohol o drogas.
  - La parrilla está caliente cuando está en uso. Para evitar las quemaduras:
    - NO trate de mover la parrilla.
    - Use guantes protectores o guantes para el horno.
    - NO toque ninguna superficie caliente de la parrilla.
    - NO use ropa suelta ni permita que el cabello haga contacto con la parrilla.

**⚠ SEA PRECAVIDO Y UTILICE SENTIDO COMÚN CUANDO OPERE LA PARRILLA DE GAS.**

**HACER CASO OMISO A LAS ADVERTENCIAS DE SEGURIDAD E INSTRUCCIONES EN ESTE MANUAL PUEDE PRODUCIR GRAVES LESIONES PERSONALES O DAÑOS MATERIALES.**

**GUARDE ESTE MANUAL PARA REFERENCIA FUTURA.**

# ADVERTENCIAS GENERALES

## ⚠ ADVERTENCIA

- **PARA USO EXTERIOR ÚNICAMENTE.** NO opere la parrilla en áreas interiores o en un área cerrada como un garaje, cobertizo o pasadizo.
- Use la parrilla **AL AIRE LIBRE** en un espacio bien ventilado alejado de viviendas u otros edificios para prevenir los peligros asociados con la acumulación de gas y los vapores tóxicos. Recomendamos que la parrilla se sitúe a una distancia mínima de 10 pies (3,1 m) de los edificios.
- Mantenga un espacio mínimo de 36 pulgadas (91 cm) entre todos los costados de la parrilla y las paredes u otros materiales combustibles. NO use la parrilla debajo de construcciones combustibles elevadas desprotegidas.
- NO use ni instale esta parrilla en o sobre un vehículo recreativo y/o un bote.

## ⚠ ADVERTENCIA

- NO utilice tubería dura de metal de cualquier tipo para conectar este tipo de parrilla a una fuente de gas natural. Utilice sólo manguera especificada por el fabricante. Utilizar tubería dura de metal o tubería complicada de metal es una práctica peligrosa. El movimiento de la parrilla puede causar la rotura de tubo de metal.
- El aparato y su válvula de cierre se debe desconectar del sistema de tubería de suministro de gas durante cualquier prueba de presión para este sistema en presiones de prueba por encima 1/2 psi (3,5 kPa).
- El aparato se debe aislar del sistema de tubería de suministro de gas cerrando su válvula manual durante cualquier presión que prueba del sistema de tubería de suministro de gas usando presión de la prueba que iguala a o a menos de 1/2 psi (3,5 kPa).
- Esta parrilla esta diseñada para el uso de gas natural con presión de 7 pulgadas de columnas de agua. Verifique el suministro de presión con su compañía local de gas. No para uso con gas de un Propano Líquido..
- Conexiones de suministro de gas deban ser realizadas por un plomero certificado.

## INFORMATIONS CONCERNANT L'INSTALLATION:

Cet appareil doit être installé conformément:

à toutes les normes locales applicables ou, s'il n'en existe pas:

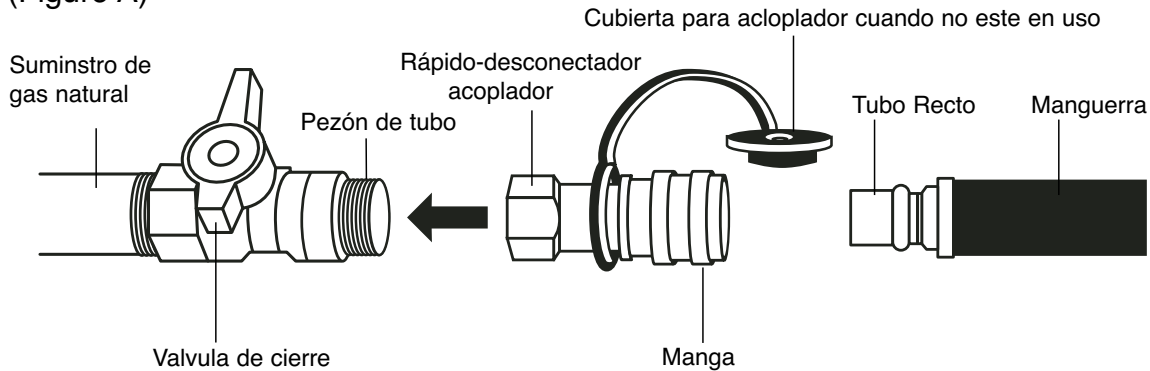
- Conformément à la norme 'National Fuel Gas Code' ANSI Z223.1 NFPA 54
- Conformément aux normes d'installation du propane et du gaz naturel :CAN/CGA B149.1
- Conformément aux normes d'installation du gaz naturel :CAN/CGA B149.1 (Canada)
- Conformément aux normes d'installation du propane :CAN/CGA B149.2 (Canada)

Si vous décidez de vérifier les normes locales, contactez votre compagnie de gaz locale. Ce gril ne peut pas être branché sur une bouteille de GPL.

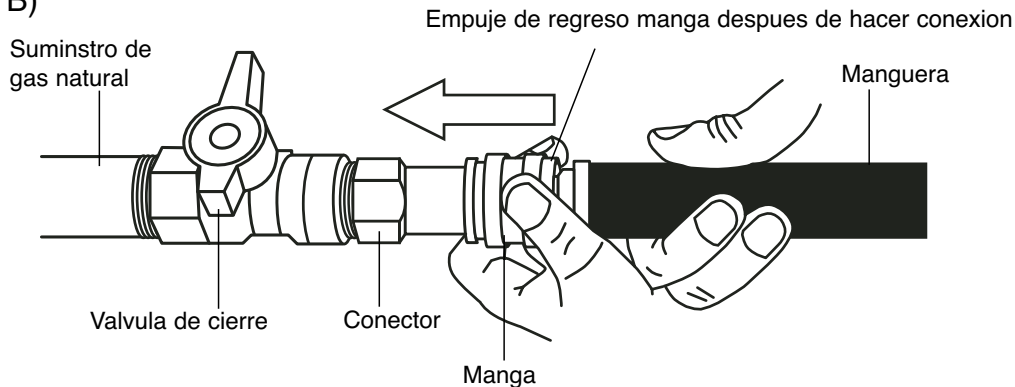
## CONECTANDO SU PARRILLA A LA FUENTE DE GAS NATURAL

1. Revista o cubra pezón de tubo con cinta de teflon de alto desempeño para sellar tubos resistente a gas o use tubo de goma para sellar tubos de gas. Apriete el rápido-desconector en pezón de tubo que lleva al suministro de gas natural (Figura A).
2. Después de armar su parrilla, asegurese que la válvula de suministro de gas natural este apagado "OFF" despues puede conectar la manguera. Empuje la manguera a la vez estirando la manga del acoplador hasta que tope adentro con el tubo recto (la Figura B) cerrando el tubo recto y manguera con el rápido-desconector acoplador. Asegurese que no tenga fugas probando todas las conexiones antes de utilizar su parrilla.

(Figure A)



(Figure B)



## DESCONECTAR SU PARRILLA DE LA FUENTE DE GAS NATURAL

1. Cierre válvula de suministro de gas natural "OFF"
2. Para desconectar, estire manga y saque tubo recto del conector.

### **⚠ ADVERTENCIA**

- **Nunca use la parrilla sin haber verificado que no hay fugas en las conexiones y mangueras de gas. Consulte los procedimientos apropiados en la sección de "Pruebas de detección de fugas" en este manual.**
- **Inspeccione visualmente la manguera antes de cada uso para detectar daños, desgaste excesivo o deterioro. Si detecta daños, reemplace el conjunto antes de usar la parrilla. Sólo debe usarse el repuesto suministrado por el fabricante.**

## ⚠ PELIGRO

### PRUEBAS DE DETECCIÓN DE FUGAS:

Para impedir los peligros de incendio o explosión:

- NO fume ni permita que haya fuentes de encendido en el área mientras realiza la prueba de detección de fugas.
- Realice la prueba AL AIRE LIBRE únicamente, en un área bien ventilada.
- Nunca realice una prueba para detectar fugas con un cerillo o llama expuesta.
- Nunca realice una prueba para detectar fugas mientras está usando la parrilla o con la parrilla caliente.

## ⚠ ADVERTENCIA

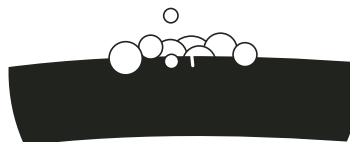
### CUÁNDO REALIZAR UNA PRUEBA DE DETECCIÓN DE FUGAS:

- Después de haber armado la parrilla y antes de encenderla por primera vez, aún cuando la haya comprado totalmente armada.
- Cada vez que se reemplaza alguno de los componentes de gas.
- Cada vez que haya movido la parrilla.
- Por lo menos una vez al año si no ha usado la parrilla más de 60 días.

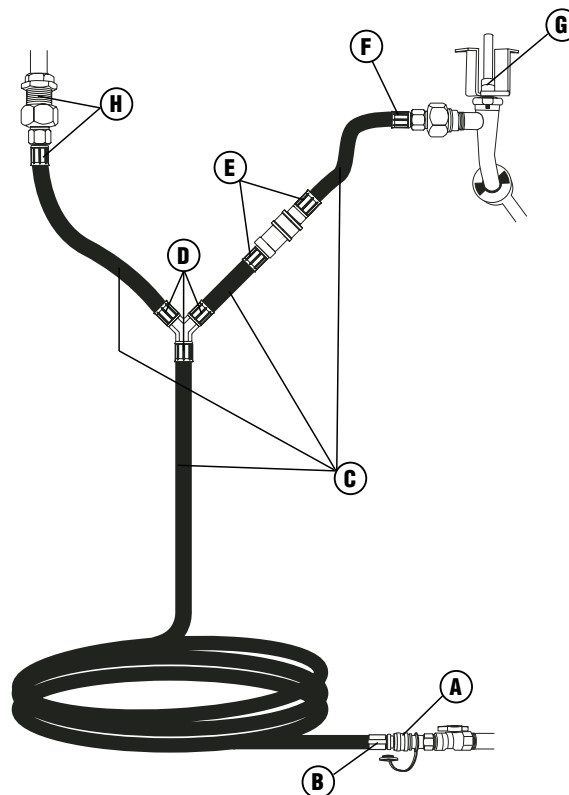
### VERIFICACIÓN DE AUSENCIA DE FUGAS:

1. Prepare una mezcla de 50% de agua y 50% de jabón líquido para lavar platos.
2. Abra la tapa.
3. Asegúrese de que todas las perillas de control estén en la posición "OFF" (de apagado).
4. Encienda el suministro de gas natural.
5. Aplique la mezcla de agua jabonosa a los siguientes elementos:

Preste atención a las burbujas



- Ⓐ Rápido-desconector acoplador
- Ⓑ Tubo recto y manguera
- Ⓒ Manguera completa
- Ⓓ "Y" conector de mangueras.
- Ⓔ Conexiones de Rápido-desconector
- Ⓕ Valvula de hornilla lateral.
- Ⓖ Tapa del vástago de la válvula de la hornilla lateral.
- Ⓗ Conexión de suministro de gas a hornilla principal.



6. Inspeccione cada uno de los elementos indicados (A-H) para ver si hay burbujas, lo cual indica una fuga.
7. Cierre el suministro de gas natural.
8. Gire las perillas de control para descargar la presión de gas en la manguera.
9. Gire las perillas de control a la posición "OFF" (de apagado).
10. Apriete todas las conexiones con fuga.
11. Repita la prueba con agua jabonosa hasta que no detecte ninguna fuga.
12. Apague el suministro de gas hasta que esté listo para usar la parrilla.
13. Limpie el residuo jabonoso con agua fría y seque con una toalla.
14. Espere 5 minutos para permitir la evacuación de todo el gas del área antes de encender la parrilla.

**⚠ ¡PRECAUCIÓN!** **NO** use la parrilla si no puede eliminar las fugas. Llame a un servicio capacitado de reparación de artefactos a gas.

Nota: La prueba de detección de fugas debe realizarse en un área con iluminación adecuada para ver si se forman burbujas. **NO** use una linterna para detectar burbujas.

## **⚠ ADVERTENCIA**

### **LISTA DE VERIFICACIÓN PRELIMINAR AL ENCENDIDO:**

**Si hace caso omiso a estos pasos de seguridad, se pueden causar daños materiales, lesiones corporales, quemaduras graves o hasta la muerte. Estos pasos deben realizarse después de haber armado la parrilla y antes de cada uso. NO opere esta parrilla hasta que haya leído y entendido TODAS las advertencias e instrucciones en este manual.**

### **LISTA DE VERIFICACIÓN PRELIMINAR AL ENCENDIDO:**

- Asegúrese de que la parrilla está armada correctamente.
- Inspeccione la manguera de suministro de gas para detectar quemaduras, rozaduras, dobleces y verificar la trayectoria correcta antes de cada uso. Si hay evidencia de abrasión o desgaste excesivo, o si la manguera está cortada, debe reemplazarse antes de usar la parrilla. Reemplácese de manguera puede obtenerse comunicándose con el servicio de atención al cliente al 800-527-0717.
- Realice una prueba de detección de fugas en todas las conexiones y en la manguera de gas. Consulte la sección de "Pruebas de detección de fugas".
- Asegúrese de que todos los cables de suministro eléctrico estén adecuadamente conectados a tierra. Mantenga todos los cables de suministro eléctrico y la manguera de suministro de combustible alejados de cualquier superficie calentada. La manguera debe estar a una distancia mínima de 3 pulgadas de las superficies calientes.
- Sitúe la parrilla en un sitio con suelo nivelado y con buena ventilación, a una distancia segura de materiales combustibles, edificios y salientes.
- Instale correctamente la bandeja de recolección de grasa vacía debajo del agujero de drenaje de grasa en el extremo inferior de la parrilla para contener la grasa durante el uso.
- NO obstruya el flujo del aire de combustión y ventilación.

## ⚠ ADVERTENCIA

Lea, entienda y siga todas las advertencias e instrucciones indicadas en este manual. **NO** pase por alto ninguna de las advertencias o instrucciones indicadas en las secciones anteriores de este manual.

## ⚠ ADVERTENCIA

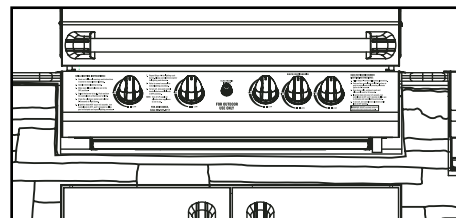
### INSTRUCCIONES DE ENCENDIDO:

Siga las instrucciones al pie de la letra.

1. **ABRA LA TAPA DE LA PARRILLA** antes de tratar de encender una hornilla para que no se acumulen vapores dentro de la parrilla. Puede producirse una explosión si la tapa de la parrilla no está abierta.
2. Verifique que todas las perillas de control de las hornillas y la válvula del cilindro están en la posición "OFF" (de apagado).
3. Abra el suministro de combustible girando la perilla de la válvula del cilindro en sentido contrahorario a la posición totalmente abierta.
4. **NO se pare con la cabeza, el cuerpo o los brazos sobre la parrilla cuando la encienda.**

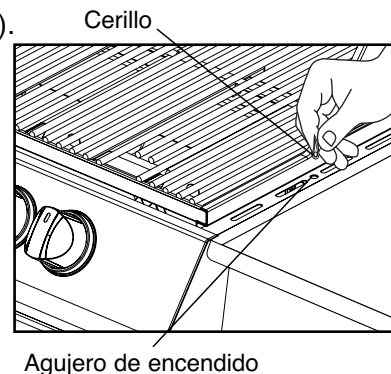
### ENCENDIDO DE LAS HORNILLAS PRINCIPALES:

1. Abra la tapa antes de encender la hornilla.
  2. Verifique que todas las perillas de control estén en la posición "OFF" (de apagado).
  3. Seleccione la hornilla que va a encender. Empuje y gire la perilla de control de esa hornilla a la posición "HIGH" (llama fuerte).
  4. Oprima el encendedor electrónico y manténgalo oprimido 3 a 5 segundos para encender la hornilla.
  5. Si la hornilla **NO** se enciende en 5 segundos, gire la perilla de control a la posición "OFF" (de apagado), espere 5 minutos para que se disipe el gas y repita el procedimiento de encendido.
  6. Repita los pasos 3 a 5 para encender cada hornilla. Siempre utilice el encendedor electrónico para encender cada hornilla. Si no se enciende la hornilla al usar el encendedor de botón, espere 5 minutos; consulte la sección de "Encendido de las hornillas principales con un cerillo".
  7. Para apagar, gire cada perilla de control en sentido horario hasta que se traben en la posición "OFF" (de apagado).
- Nota: Si la hornilla no se enciende o la llama es muy baja, quizás esté bloqueada con un insecto o se haya activado el dispositivo limitador de flujo. Consulte "Instalación/Mantenimiento de las Hornillas" en la sección Cuidado y mantenimiento.



### ENCENDIDO DE LAS HORNILLAS PRINCIPALES CON UN CERILLO:

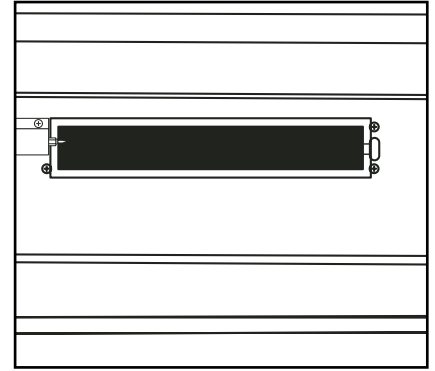
1. Abra la tapa antes de encender.
2. Gire las perillas de control de las hornillas a la posición "OFF" (de apagado).
3. Prenda el cerillo y colóquelo aproximadamente a 1/2 pulg. (1 a 2 cm) sobre el agujero de encendido situado en el lado derecho e izquierdo de la caja de la parrilla.
4. Gire la perilla de control de la hornilla derecha o izquierda a la posición "HIGH" (llama fuerte). La hornilla debe encenderse en 5 segundos.
5. Si la hornilla no se enciende, gire la perilla de control a la posición "OFF" (de apagado) y espere 5 minutos para que se evacue el gas de la parrilla. Repita los Pasos 1 a 5 hasta que se encienda la hornilla.
6. Una vez encendida, prenda las hornillas adyacentes en secuencia oprimiendo hacia adentro y girando la perilla de control a la posición "HIGH" (llama fuerte).
7. Si la hornilla no se enciende después de varios intentos con un cerillo, entonces hay un problema con el suministro de gas. Cierre el gas en la hornilla y en el cilindro. **NO** trate de operar la parrilla hasta haber encontrado y corregido el problema. Consulte la sección de "Identificación y corrección de problemas" de este manual.





## ENCENDIDO DE LA HORNILLA DEL ASADOR ESTILO ROTISSERIE:

1. Abra la cubierta de la parrilla antes de encender la hornilla del asador estilo rotisserie.
2. Verifique que la perilla de control esté en la posición "OFF" (de apagado).
3. Empuje y gire la perilla de control a la posición "HIGH" (llama fuerte). Continúe empujando la perilla de control mientras presiona el encendedor electrónico durante 3 a 5 segundos.
4. Una vez encendida la hornilla, continúe empujando la perilla de control durante 30 segundos.
5. Si la hornilla NO se enciende en 5 segundos, gire la perilla de control a la posición "OFF" (de apagado), espere 5 minutos para que se disipe el gas y repita el procedimiento de encendido.
6. Para apagar, gire cada perilla de control en sentido horario hasta que se trabaje en la posición "OFF" (de apagado).



**IMPORTANTE:** NO use la hornilla trasera del asador estilo rotisserie cuando esté usando las hornillas principales.

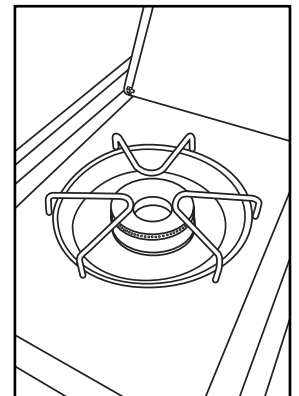
Nota: Si la hornilla no se enciende o la llama es muy baja, quizás esté bloqueada con un insecto o se haya activado el dispositivo limitador de flujo. Consulte "Instalación/Mantenimiento de las Hornillas" en la sección Cuidado y mantenimiento.

## ENCENDIDO DE LA HORNILLA DEL ASADOR ESTILO ROTISSERIE CON UN CERILLO:

1. Abra la cubierta de la parrilla antes de encender la hornilla del asador estilo rotisserie.
2. Verifique que la perilla de control esté en la posición "OFF" (de apagado).
3. Prenda y coloque con cuidado un cerillo aproximadamente a 1/2 pulgada (1 a 2 cm) del borde inferior de la hornilla.
4. Empuje y gire la perilla de control a la posición "HIGH" (llama fuerte). Continúe empujando la perilla de control durante 3 a 5 segundos mientras mantiene el cerillo debajo de la hornilla. La hornilla debe encenderse en 5 segundos.
5. Una vez encendida la hornilla, continúe empujando la perilla de control durante 30 segundos.
6. Si la hornilla no se enciende, gire la perilla de control a la posición "OFF" (de apagado) y espere 5 minutos para que se disipe el gas y repita el procedimiento de encendido.
7. Si la hornilla no se enciende después de varios intentos con un cerillo, entonces hay un problema con el suministro de gas. Cierre el gas en la hornilla y en el suministro de gas. **NO** trate de operar la parrilla hasta haber encontrado y corregido el problema. Consulte la sección de "Identificación y corrección de problemas" de este manual.

## ENCENDIDO DE LA HORNILLA LATERAL:

1. Abra la tapa antes de encender la hornilla lateral.
2. Verifique que la perilla de control esté en la posición "OFF" (de apagado).
3. Empuje y gire la perilla de control de la hornilla lateral a la posición "HIGH" (llama fuerte).
4. Oprima el encendedor electrónico de la hornilla lateral y manténgalo oprimido durante 3 a 5 segundos para encender la hornilla.
5. Si la hornilla NO se enciende en 5 segundos, gire la perilla de control a la posición "OFF" (de apagado), espere 5 minutos para que se disipe el gas y repita el procedimiento de encendido.
6. Para apagar, gire cada perilla en sentido horario hasta que se trabaje en la posición "OFF" (de apagado).



Nota: Si la hornilla no se enciende o la llama es muy baja, quizás esté bloqueada con un insecto o se haya activado el dispositivo limitador de flujo. Consulte "Instalación/Mantenimiento de las Hornillas" en la sección Cuidado y mantenimiento.

## ENCENDIDO DE LA HORNILLA LATERAL CON UN CERILLO:

1. Abra la tapa de la hornilla lateral antes de encenderla.
2. Verifique que la perilla de control esté en la posición "OFF" (de apagado).
3. Prenda y coloque con cuidado un cerillo aproximadamente a 1/2 pulgada (1 a 2 cm) de la hornilla.
4. Gire la perilla de control de la hornilla lateral a la posición "HIGH" (llama fuerte). La hornilla debe encenderse en 5 segundos.
5. Si la hornilla no se enciende, gire la perilla de control a la posición "OFF" (de apagado) y espere 5 minutos para que se disipe el gas y repita el procedimiento de encendido.
6. Si la hornilla no se enciende después de varios intentos con un cerillo, entonces hay un problema con el suministro de gas. Cierre el gas en la hornilla y en el suministro de gas natural. NO trate de operar la parrilla hasta haber encontrado y corregido el problema. Consulte la sección de "Identificación y corrección de problemas" de este manual.

Nota: Observe la altura de la llama cuando está encendida: La llama debe ser de color azul/amarillo de aproximadamente 1 a 2 pulgadas cuando la hornilla está en posición "HIGH" (llama fuerte).



## APAGADO DE LA PARRILLA:

1. Cierre suministro de gas natural.
2. Gire todas las perillas de control de las hornillas a la posición "OFF" (de apagado).

Nota: Apague el suministro de gas natural primero para evitar que quede gas en el sistema bajo presión.

## ⚠ ¡CUIDADO!

- El suministro de gas natural siempre debe estar en la posición de apagado o cerrada cuando la parrilla no está en uso.

## **⚠ ADVERTENCIA**

### **OPERACIÓN DE LA PARRILLA:**

**Nunca use carbón o fluido de encendedor dentro de la parrilla de gas. Lea y siga todas las advertencias e instrucciones indicadas en las secciones anteriores de este manual.**

### **PREPARACIÓN DE LA PARRILLA PARA USARLA POR PRIMERA VEZ:**

- Debido al proceso de fabricación y preservación de los componentes de la parrilla, puede haber residuo de aceite presente en la hornillas y en las superficies de cocción de la parrilla.
- Antes de cocinar por primera vez en la parrilla, precaliéntela durante 15 minutos en "HIGH" (llama fuerte) para quemar este aceite residual.

### **PRECALENTAMIENTO DE LA PARRILLA:**

- Se recomienda que precaliente la parrilla antes de usarla. Esto asegura que las superficies para cocinar estén a las temperaturas deseadas para dorar los azúcares de los alimentos cuando cocine. Después de encender la parrilla, coloque las perillas de control de las hornillas principales a la posición "HIGH" (llama fuerte) durante 10 a 15 minutos. Cierre la cubierta durante el período de precalentamiento.

### **CONTROL DE LAS LLAMARADAS:**

- Las llamaradas son parte de cocinar carnes en una parrilla de gas. Esto agrega un sabor único a los alimentos cocinados en una parrilla de gas. Las llamaradas excesivas pueden cocinar demasiado los alimentos y producir una situación peligrosa para usted y la parrilla. Las llamaradas excesivas son el resultado de la acumulación de grasa en la sección inferior de la parrilla. Si esto ocurre, NO eche agua a las llamas. Esto puede producir salpicaduras de grasa y causar quemaduras graves o lesiones corporales. Si la grasa produce un incendio, cierre la tapa y apague las hornillas principales hasta que la grasa se queme. Tenga cuidado cuando abra la tapa ya que se pueden producir llamaradas repentinas.

## **⚠ ADVERTENCIA**

- **NO deje la parrilla desatendida mientras está en uso.**
- **NO mueva la parrilla cuando esté en uso. Trabe las ruedas en posición para estabilizar la parrilla.**
- **NO utilice agua para apagar las llamaradas.**
- **Tenga a mano un extinguidor de incendios adecuado para usar con artefactos a gas.**

### **PARA REDUCIR AL MÍNIMO LAS LLAMARADAS:**

- Recorte el exceso de grasa de la carne antes de cocinarla.
- Cocine la carne con alto contenido de grasa (pollo o puerco) con llama suave o indirecta.
- Verifique que la parrilla está sobre suelo nivelado y que la grasa puede salir de la parrilla a través del agujero de drenaje en la sección inferior y acumularse en la cacerola para grasa.

### **COCCIÓN INDIRECTA:**

- La cocción indirecta es el proceso de cocinar sus alimentos sin que la fuente de calor esté directamente debajo de los mismos. Puede dorar carnes sobre una llama fuerte en un lado de la parrilla y cocinar lentamente un asado en el otro lado (sin encender) de la parrilla.

## COCCIÓN ESTILO ROTISSERIE:

- La parrilla viene preparada de la fábrica con agujeros de montaje para instalar un asador estilo rotisserie (vendido aparte). No use un asador estilo rotisserie que no haya sido fabricado especialmente para esta parrilla.
- Lea y siga todas las instrucciones incluidas con el asador estilo rotisserie. Guarde las instrucciones para referencia futura.
- No use la hornilla lateral cuando esté usando un asador estilo rotisserie.
- NO USE el quemador del rotisserie cuando esté usando los quemadores principales.

### **⚠ ADVERTENCIA**

- Cuando use un asador estilo rotisserie de corriente alterna, debe estar conectado a tierra de acuerdo con los códigos locales o, si no los hay:
  - En EE.UU.: El Código Eléctrico de EE.UU. – ANSI-NFPA N° 70 – última edición
  - En Canadá: el Código Eléctrico Canadiense – CSA C22.1
- El asador estilo rotisserie está equipado con un enchufe de tres clavijas para proteger al usuario contra el electrochoque. Este enchufe debe conectarse directamente a un receptáculo para tres clavijas conectado correctamente a tierra. Nunca corte o quite el enchufe de conexión a tierra. Cualquier cable de extensión también debe tener un receptáculo para tres clavijas.
- Todos los cables de suministro eléctrico deben mantenerse alejados del agua y de las superficies calientes de la parrilla.

## USO DE OTRAS FUNCIONES DE LA PARRILLA:

### LA HORNILLA LATERAL:

- La hornilla lateral puede usarse para preparar platillos de acompañamiento como frijoles, papas, maíz o para calentar salsas.
- La válvula de la hornilla debe ajustarse de llama fuerte a llama suave de acuerdo con sus exigencias de cocina.

### **⚠ ADVERTENCIA**

- Lea las instrucciones de encendido de la parrilla para encender la hornilla lateral.
- Nunca cierre la tapa de la hornilla lateral cuando esté encendida.
- Utilice una olla de 10 pulgadas de diámetro o más pequeña SIN mango extendido cuando cocine en la hornilla lateral. Centre la olla sobre la hornilla.
- Sea precavido para evitar chocar contra la parrilla, la hornilla lateral o la olla para evitar derramar el contenido de la olla y prevenir las quemaduras graves.
- NO utilice la hornilla lateral para freír alimentos en aceite, evitando así los peligros asociados con el encendido del aceite y la creación de una situación peligrosa.

# RECOMENDACIONES PARA COCINAR EN LA PARRILLA

## LIMPIEZA

- Siempre lávese bien las manos con agua caliente y jabón antes de manipular alimentos y después de tocar carne, pollo o mariscos crudos.
- Cuando utilice una fuente para llevar carne, pollo o mariscos crudos a la parrilla, asegúrese de lavar bien la fuente con agua caliente y jabón antes de colocar alimentos cocidos en ella, o utilice fuentes distintas para los alimentos crudos y cocidos.
- Nunca utilice los mismos utensilios para manipular carne cruda, pollo crudo o mariscos, a menos que los lave bien con agua caliente y jabón.
- Nunca reutilice el adobo de la carne o pollo crudo en alimentos ya cocidos y listos para servir.

## COCINAR A LA PARRILLA A LA TEMPERATURA APROPIADA

- Utilice un termómetro para carne para verificar que haya alcanzado una temperatura interna segura. Puede ordenar un termómetro de calidad comercial de Brinkmann. Para obtener más información sobre este producto y otros accesorios Brinkmann, consulte las páginas de accesorios al final de este manual.
- El Departamento de Agricultura de EE.UU. recomienda que los siguientes alimentos alcancen las siguientes temperaturas mínimas:

<b>Chuletas</b> . . . . .	<b>145° F (62.8° C)</b>	<b>Pollo</b> . . . . .	<b>180° F (82° C)</b>
<b>Carne molida</b> . . .	<b>160° F (71° C)</b>	<b>Asados</b> . . . . .	<b>145° F (62.8° C)</b>
<b>Cerdo</b> . . . . .	<b>160° F (71° C)</b>	<b>Mariscos</b> . . . . .	<b>140° F (60° C)</b>
		<b>Verduras</b> . . . . .	<b>140° F (60° C)</b>

## RECOMENDACIONES ÚTILES

- Si precocina carne o pollo, hágalo inmediatamente antes de cocinarlo en la parrilla.
- Nunca descongele carne a la temperatura ambiente o sobre un mostrador.
- Refrigere los restos a más tardar 2 horas después de haber sacado la comida de la parrilla.
- Para mayor información, llame a la Línea de Información sobre Carne y Pollo de USDA al número sin cargo 800-535-4555.

## CUIDADO Y MANTENIMIENTO APROPIADOS

- Para proteger su parrilla contra la oxidación excesiva, manténgala limpia y cubierta todo el tiempo cuando no la esté usando. Una cubierta de la parrilla se puede pedir directamente de Brinkmann llamando 800-468-5252 o 800-527-0717.
- Lave las rejillas para cocinar y las placas de distribución de calor con agua jabonosa caliente, enjuáguelas bien y séquelas. Aplique una capa ligera de aceite vegetal líquido o en aerosol a las rejillas para cocinar.
- Limpie el interior y exterior de la parrilla con un paño húmedo. Aplique una capa ligera de aceite vegetal líquido o en aerosol a la superficie interior para impedir la oxidación.
- Mantenga exterior de parrilla limpia utilizando producto de limpieza para superficies de acero inoxidable.
- Nunca aplique pintura a la superficie interior. Las manchas de oxidación en la superficie interior pueden pulirse, limpiarse y luego cubrirse con una capa ligera de aceite vegetal líquido o en aerosol para reducir al mínimo la oxidación.
- Utilice un sellador penetrante de alta calidad fabricado especialmente para granito para proteger los mostradores de granito contra las manchas y la decoloración. El sellador se debe aplicar regularmente durante todo el año.
- Como mantenimiento estándar de los mostradores de granito, límpielos con un paño con agua tibia o agua con jabón suave. Se pueden usar limpiadores diseñados específicamente para limpiar granito según sea necesario. No use vinagre, limpiadores que contienen ácido, limpiadores abrasivos o lustramuebles. Sugerimos la siguiente atención de rutina:
  - Limpie los derrames de inmediato;
  - Quite el polvo con un paño sin tratar;
  - Utilice reposavasos;
  - No apoye macetas sobre la superficie;
  - Siempre mantenga la superficie cubierta al aire libre o cuando no la esté usando.
- Como mantenimiento estándar de las paredes de fibra de vidrio, límpielas con un paño con agua tibia o agua con jabón suave. No use vinagre, limpiadores que contienen ácido, limpiadores abrasivos o lustramuebles. Manténgalas cubiertas cuando no estén en uso.

## LIMPIEZA Y MANTENIMIENTO:

- Mantenga el artefacto alejado de materiales combustibles, gasolina u otros vapores o líquidos inflamables.
- Mantenga los orificios de ventilación sin residuos.
- Observe las llamas de las hornillas para verificar que estén funcionando bien (consulte el dibujo en "Instalación/Mantenimiento de las Hornillas" en la sección de Cuidado y mantenimiento apropiados). Las arañas y otros insectos pueden formar nidos en la hornilla y bloquear el paso del gas.
- Verifique lo siguiente por lo menos dos veces al año o después de largos períodos de almacenaje para cocinar sin peligro y obtener el mejor rendimiento de su parrilla.
- Asegúrese de apretar toda la tornillería (tuercas, pernos, tornillos, etc.) por lo menos dos veces por año.

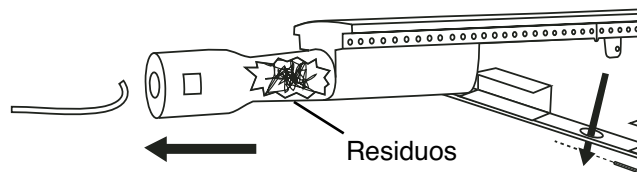
**⚠ ¡CUIDADO!** Algunas partes pueden tener bordes afilados. Póngase guantes de protección si es necesario.

- Retire las rejillas para cocinar, las placas de distribución de calor y las hornillas del interior de la parrilla. Utilice un cepillo con agua caliente y detergente para quitar el exceso de residuos. **NUNCA** use un limpiahornos comercial. Enjuague bien con agua. Seque con una toalla y reinstale todos los componentes en la forma descrita en las instrucciones de armado.

## INSTALACION/MANTENIMIENTO DE LAS HORNILLAS

- Si bien las hornillas están fabricadas de latón, pueden oxidarse debido al calor extremo y a los ácidos de los alimentos. Inspeccione regularmente las hornillas para ver si tienen agujeros anormales y otras señales de daños por corrosión. Si detecta daños, reemplace la hornilla.
- **NO** obstruya el flujo del aire de combustión y ventilación. Las arañas u otros insectos pueden hacer nidos y bloquear los tubos de las hornillas. Los tubos bloqueados impiden que fluya gas a las hornillas y puede producirse un incendio en el tubo o debajo de la parrilla. Siga las instrucciones a continuación para limpiar el tubo y/o reemplazar partes de la hornilla, o si tiene dificultad para encender la parrilla.

1. Apague el gas en las perillas de control y en el suministro de gas.
2. Retire las rejillas para cocinar y las placas de distribución del calor.
3. Retire las clavijas hendidas de debajo del "pie" de cada hornilla con un destornillador o alicates de punta de aguja.
4. Levante cuidadosamente cada hornilla y retírela de las aberturas de las válvulas.
5. Introduzca un cepillo angosto para botellas o un alambre doblado en forma de gancho pequeño en el tubo y en el orificio de la llama de cada hornilla varias veces.

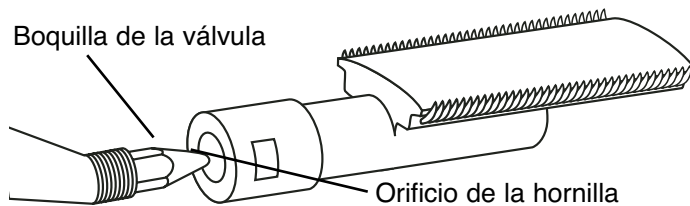


**Nota: Use protección para los ojos cuando ejecute el procedimiento 6.**

6. Utilice aire comprimido para soplar el tubo de cada hornilla; el aire debe salir por los orificios de las llamas. Verifique que salga aire de cada orificio.
7. Limpie con un cepillo de alambre la superficie exterior completa de la hornilla para quitar los restos de alimentos y residuos.
8. Revise la hornilla para detectar daños; si nota grietas o agujeros grandes, reemplace la hornilla.

**IMPORTANTE: La abertura de la hornilla debe deslizarse sobre la boquilla de la válvula.**

9. Reinstale cuidadosamente las hornillas.
10. Instale nuevamente las clavijas hendidas debajo de cada hornilla y siga las instrucciones en la sección "Pruebas de detección de fugas" de este manual. Reencienda las hornillas para verificar el funcionamiento apropiado.
11. Reinstale las placas de distribución de calor y las rejillas para cocinar.



**FUNCIONAMIENTO CORRECTO DE LA HORNILLA**

## REJILLAS PARA COCINAR

- Límpielas con agua y detergente de jabón suave. Se puede usar un cepillo con cerdas de latón o una esponja de limpieza de nilón para quitar los residuos de las superficies de acero inoxidable. No use cerdas de acero para limpiar las parrillas de porcelana. El acero puede picar o agrietar el acabado. NO use un limpiahornos comercial.

## PLACAS DE DISTRIBUCIÓN DEL CALOR

- Puede ser necesario inspeccionar y limpiar periódicamente la placa de distribución de calor para evitar la acumulación excesiva de grasa. Retire la rejilla para cocinar cuando la parrilla esté fría. Inspeccione las placas de distribución de calor y reemplácelas si están rotas o dañadas. No permita que las placas de distribución de calor se dañen hasta el punto que puedan caerse sobre las hornillas. Reemplace las placas de distribución de calor y las rejillas para cocinar y encienda las hornillas. Haga funcionar la parrilla en "HIGH" (llama fuerte) durante 10 minutos para quitar el exceso de grasa.

## ADVERTENCIA

### TRANSPORTE Y ALMACENAJE:

- Nunca mueva una parrilla cuando está caliente o con objetos sobre las superficies de cocción.
- Asegúrese de que el suministro de gas natural esté cerrado. Después de mover la parrilla, verifique que no haya fugas en ninguna de las conexiones de gas. Consulte las instrucciones para las Pruebas de detección de fugas.
- NO guarde un cilindro de gas de propano líquido de reserva (lleno o vacío) debajo o cerca de la parrilla.
- Nunca guarde líquidos inflamables o latas de aerosol debajo o cerca de la parrilla.
- NO apague incendios de grasa con agua.
- Si el artefacto a gas para cocinar al aire libre no está en uso, se debe apagar el suministro de gas natural.
- Se permite guardar un artefacto a gas para cocinar al aire libre en un área interior sólo si el suministro de gas natural esta desconecta y se retira del artefacto.
- Podría haber nidos de arañas u otros residuos bloqueando la hornilla cuando saque la parrilla del almacenaje. Consulte "Instalación/Mantenimiento de las Hornillas" en la sección de Cuidado y mantenimiento apropiados.

### ANTES DE GUARDAR LA PARRILLA:

- Asegúrese de que la fuente de gas natural este apagado.
- Limpie todas las superficies.
- Aplique una capa ligera de aceite para cocinar a las hornillas para evitar la oxidación excesiva.
- Si va a guardar la parrilla en un área interior, desconecte el tanque de propano líquido y déjelo AFUERA.
- Limpie la hornilla antes de usar después del almacenaje, al comienzo de la temporada de uso de la parrilla o si no usa la parrilla por un mes. Las arañas y otros insectos pueden formar nidos en los tubos de las hornillas (especialmente durante los meses de frío). Estos nidos pueden producir llamaradas en los tubos de las hornillas o debajo de la parrilla.
- Si está guardando la parrilla afuera, cúbrala con la cubierta para protegerla del tiempo. Puede conseguir una cubierta solicitada directamente de Brinkmann llamando al 800-468-5252 o 800-527-0717.

## IDENTIFICACIÓN Y CORRECCIÓN DE PROBLEMAS

Problema:	Causas posibles:
<ul style="list-style-type: none"> <li>• <b>La hornilla no enciende</b></li> </ul>	<ol style="list-style-type: none"> <li>1. Revise el suministro de gas natural.</li> <li>2. Chispa de electrodo defectuosa. Vea si puede encender la parrilla con un cerillo. Puede ser necesario ajustar el electrodo o colector.</li> <li>3. Es posible que la hornilla no esté bien asentada.</li> <li>4. Es posible que la hornilla esté obstruida.</li> </ol>
<ul style="list-style-type: none"> <li>• <b>Llamas en la perilla de control</b></li> </ul>	<ol style="list-style-type: none"> <li>1. Es posible que los agujeros de la hornilla estén obstruidos. Consulte "Instalación/Mantenimiento de las Hornillas" en la sección de Cuidado y mantenimiento apropiados.</li> <li>2. La hornilla está asentada incorrectamente sobre la válvula de control.</li> <li>3. Las conexiones de gas pueden estar sueltas. Revise para verificar que no haya fugas y ajuste todas las conexiones.</li> </ol>
<ul style="list-style-type: none"> <li>• <b>Llamas amarillas en la hornilla</b></li> </ul>	<ol style="list-style-type: none"> <li>1. La hornilla está obstruida. Consulte "Instalación/Mantenimiento de las Hornillas" en la sección de Cuidado y mantenimiento apropiados.</li> </ol>
<ul style="list-style-type: none"> <li>• <b>La llama se apaga en la posición "LOW" (llama suave)</b></li> </ul>	<ol style="list-style-type: none"> <li>1. Es posible que los agujeros de la hornilla estén obstruidos. Consulte "Instalación/Mantenimiento de las Hornillas" en la sección de Cuidado y mantenimiento apropiados.</li> <li>2. La parrilla no se precalentó lo suficiente.</li> <li>3. La hornilla está asentada incorrectamente sobre la válvula de control.</li> </ol>
<ul style="list-style-type: none"> <li>• <b>La parrilla está demasiado caliente</b></li> </ul>	<ol style="list-style-type: none"> <li>1. Acumulación excesiva de grasa produce llamaradas.</li> <li>2. Cocine en una posición de temperatura más baja.</li> </ol>

## PREGUNTAS FRECUENTES

El número de modelo y número de serie de la parrilla y la información para contactarse con el Servicio de atención al cliente de Brinkmann se incluyen en una etiqueta plateada abajo del panel de control o en el costado de la caja de la misma, debajo del estante lateral y también atrás del asador en el panel.

Estas preguntas y respuestas son para su conocimiento general y podrían no ser aplicables a su modelo de parrilla.

### Pregunta: ¿Por qué mi parrilla no enciende correctamente?

**Respuesta:** Siempre siga las instrucciones de encendido indicadas en el panel de control o en este manual. También revise estas causas:

- Revise el suministro de gas natural.
- Verifique que todas las conexiones de gas están seguras.
- Quizás sea necesario reemplazar la pila AA del encendedor.
- Los cables de encendido pueden estar sueltos. Quite la pila, inspeccione la caja de conexiones del encendedor situada detrás el panel de control y conecte los cables sueltos.
- Puede ser necesario reemplazar las puntas de los electrodos de chispa. Con el suministro de gas cerrado y la perilla de control en la posición "OFF" (apagado), presione el botón del encendedor y haga que otra persona verifique la presencia de una chispa en las puntas de los electrodos. El espacio entre la punta del electrodo de chispa y el receptor de chispa debe ser de aproximadamente 3/16 pulg. Si es necesario ajustar la punta del electrodo, dóblela para dejar el espacio apropiado.



## PREGUNTAS FRECUENTES

- Verifique que el extremo del tubo venturi de cada hornilla está situado correctamente sobre su accesorio del orificio de la válvula de gas.
- Si sospecha una obstrucción en el suministro de gas natural, remueva la manguera y rápido-desconector acoplador y abra la línea por un segundo para probar la obstrucción. Si no hay obstrucción presente, conecte la manguera de nuevo. Si sigue obstrucción en la línea, favor de contactar el suministrador local de gas natural.

### **Pregunta: ¿Cómo y cuándo limpio los componentes de cocción interiores de la parrilla?**

**Respuesta:** Use un cepillo de limpieza de fibra o latón para limpiar el interior de la parrilla, las rejillas para cocinar, las placas de distribución de calor y los recipientes de grasa. Nunca use un cepillo de alambre o raspador metálico en las partes de acabado de porcelana ya que puede rayar o estropear el acabado de porcelana y fomentar la oxidación.

**Limpieza de las rejillas para cocinar de acero inoxidable:** Lave las rejillas con un detergente suave y enjuáguelas con agua caliente antes del uso inicial y según sea necesario. NO use un limpiahornos comercial. Para residuos de alimentos persistentes, utilice un desgrasador y un cepillo de limpieza de fibra o latón.

**Limpieza de rejillas para cocinar de hierro fundido con acabado de porcelana:** Lave las rejillas con un detergente suave y enjuáguelas con agua caliente antes del uso inicial y según sea necesario. Para residuos de alimentos persistentes, utilice un desgrasador y un cepillo de limpieza de fibra o latón. Séquelas de inmediato con un paño suave o toallas de papel.

**Limpieza de la placa de distribución de calor:** Las placas de distribución de calor se deben limpiar cada vez que se acumula comida o gotas de grasa para reducir la posibilidad de llamaradas. Lave las placas de distribución de calor con un detergente suave y enjuáguelas con agua caliente. Para residuos de alimentos persistentes, utilice un desgrasador y un cepillo de limpieza de fibra o latón. Nunca use un cepillo de alambre o raspador metálico en las placas de distribución de calor con acabado de porcelana ya que puede rayar o estropear el acabado de porcelana y fomentar la oxidación.

**Limpieza de la bandeja para grasa y/o la gaveta para grasa:** Es necesario inspeccionar la bandeja para grasa y/o gaveta para grasa (en algunos modelos) antes de cada uso de la parrilla para reducir la probabilidad de incendio. Quite la grasa (una espátula de plástico funciona bien) y lave todas las partes con jabón suave o desgrasador y una solución de agua tibia.

### **Pregunta: ¿Qué es lo que causa la oxidación de las partes de la parrilla y cuál es su efecto en los materiales de la misma?**

**Respuesta:** La oxidación es un proceso natural que puede ocurrir en piezas de hierro fundido y acero. La oxidación no afectará el funcionamiento a corto plazo de la parrilla. Las partes de la parrilla de acero inoxidable no se oxidarán. Sin embargo, la exposición a la intemperie y el calor extremo pueden hacer que la tapa de acero inoxidable se torne de un color bronce. Esto es decoloración, no oxidación, y no se considera un defecto de fabricación.

### **Pregunta: ¿Por qué la tapa de la parrilla de acero inoxidable se decolora y cómo la puedo limpiar?**

**Respuesta:** El humo, la exposición a la intemperie y el calor extremo pueden hacer que la tapa de acero inoxidable se torne de un color bronce. Esto no debe confundirse con oxidación y no es un defecto del producto. Los aceites para maquinaria utilizados en el proceso de fabricación del acero inoxidable, y también el aceite para cocinar y la tapa sucia de la parrilla pueden fomentar la decoloración de la tapa si no se limpian antes de usar la parrilla. Después de armar la parrilla, quite la película de protección de PVC de la tapa y utilice un limpiador de acero inoxidable y un paño suave para quitar el adhesivo residual y los aceites de adentro y afuera de la tapa. Nunca use limpiadores o fregadores abrasivos. Además de la limpieza inicial, la limpieza de rutina para quitar el polvo, la grasa y los aceites ayudará a prevenir la decoloración de la tapa.

# INSTRUCCIONES DE ARMADO

**⚠ LEA DETENIDAMENTE TODAS LAS ADVERTENCIAS DE SEGURIDAD E INSTRUCCIONES ANTES DE ARMAR Y USAR LA PARRILLA.**

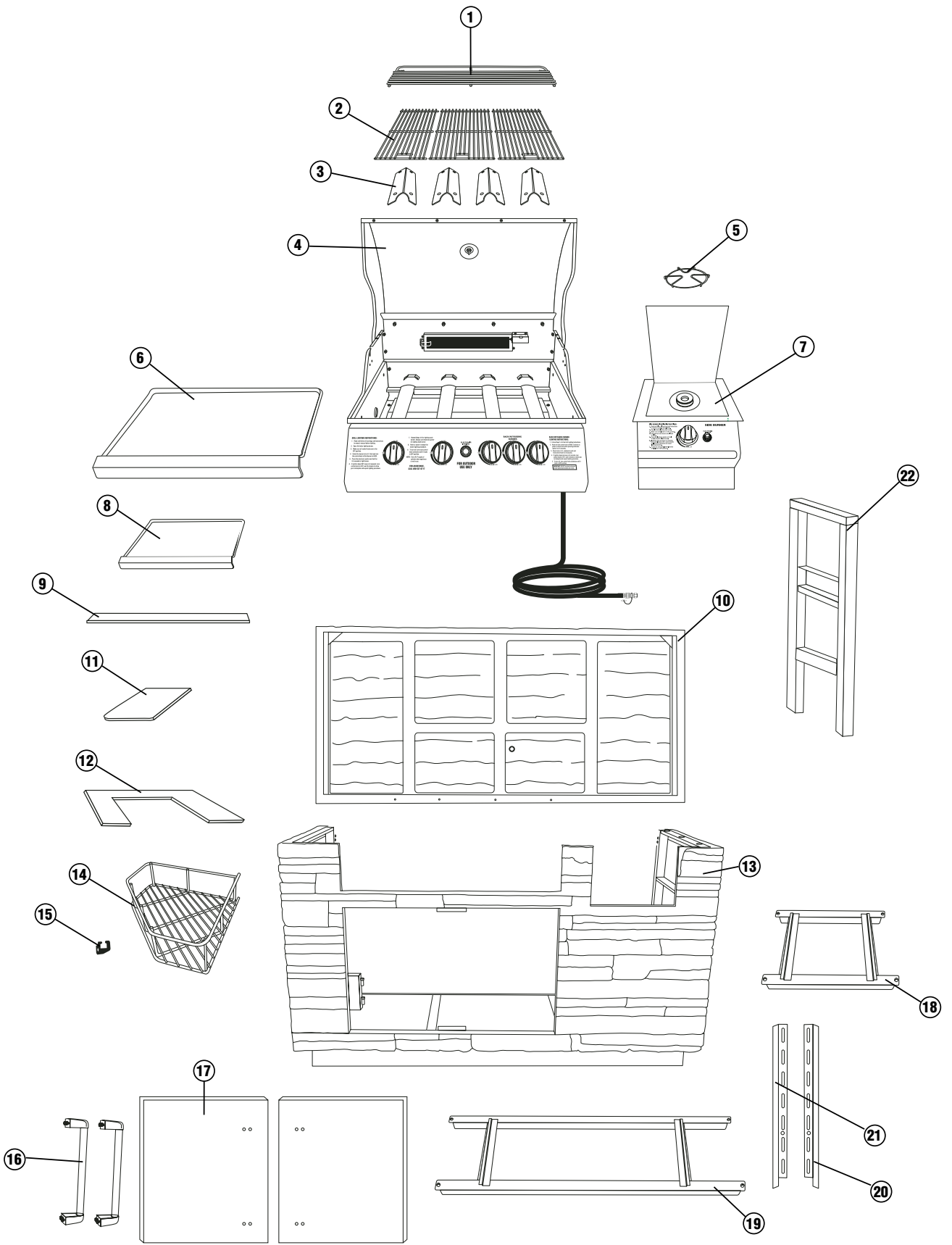
**RECOMENDAMOS QUE ESTA UNIDAD SEA ARMADA POR TRES PERSONAS.**

Se necesitan las siguientes herramientas incluidas para armar esta Parrilla a Gas Natural Grill Island 6830:

- Destornillador (incluido)
- Llave para tuercas hexagonales (incluida)

## LISTA DE PARTES:

①	1	Rejilla para calentar	⑫	1	Mostrador derecho de granito
②	3	Rejillas para cocinar	⑬	1	Base de la parrilla
③	4	Placas de distribución de calor	⑭	1	Cesto
④	1	Conjunto de la caja de la parrilla	⑮	1	Guía para el cesto
⑤	1	Rejilla de la hornilla lateral	⑯	2	Manijas para las puertas
⑥	1	Bandeja para grasa principal	⑰	2	Puertas
⑦	1	Conjunto de la hornilla lateral	⑱	1	Apoyo de la hornilla lateral
⑧	1	Bandeja para grasa de la hornilla lateral	⑲	1	Apoyo de la caja de la parrilla
⑨	1	Mostrador trasero de granito	⑳	1	Moldura izquierda de la parrilla
⑩	1	Panel trasero	㉑	1	Moldura derecha de la parrilla
⑪	1	Mostrador izquierdo de granito	㉒	1	Soporte del medio de base de parrilla



**SI FALTAN PARTES, LLAME A SERVICIO AL CLIENTE AL 800-527-0717.**

(Se requerirá el comprobante de compra.)

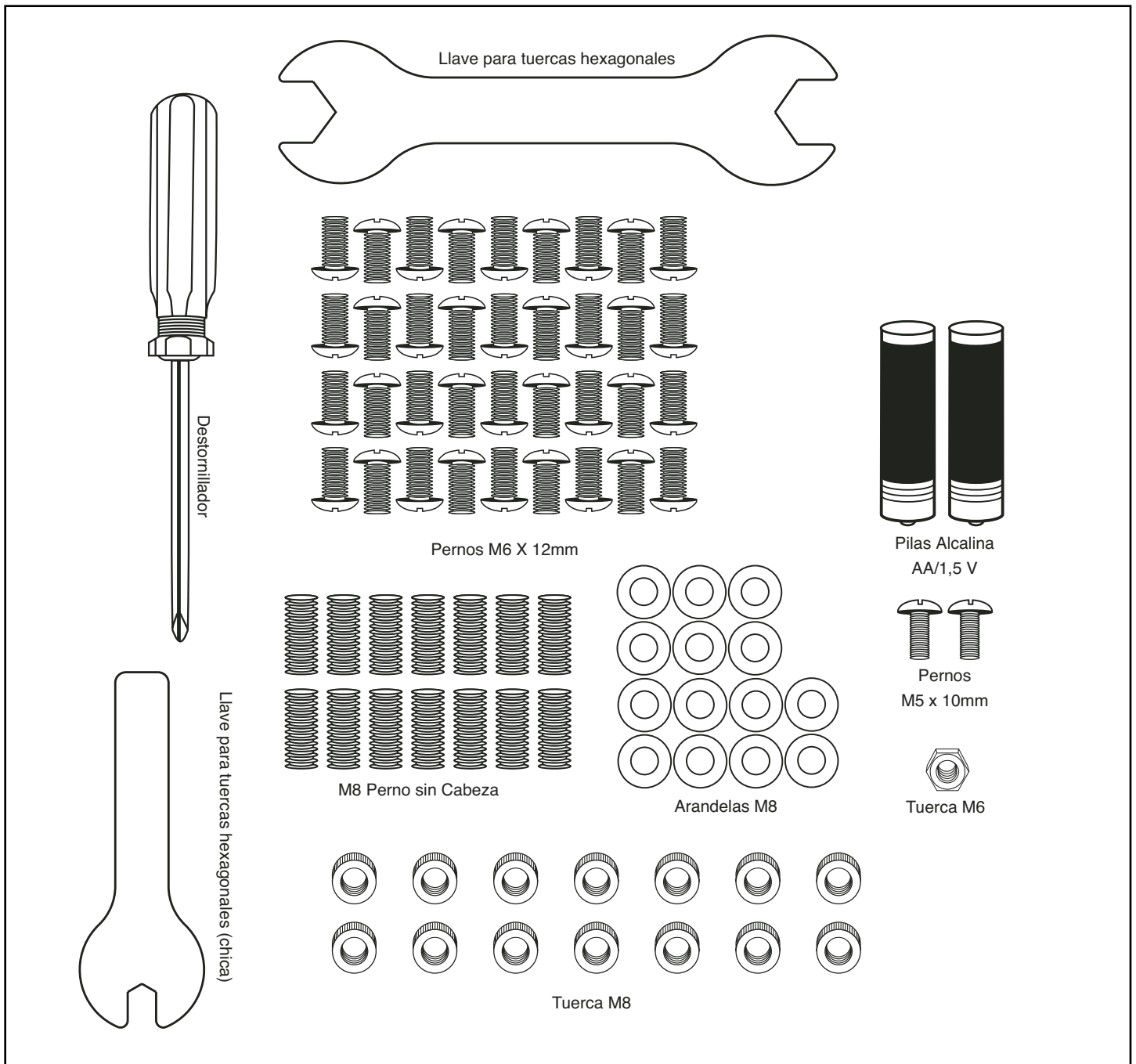
Inspeccione el contenido de la caja para verificar que todas las partes estén incluidas e intactas.

# CONTENIDO DE LA BOLSA DE PARTES

Verifique que tiene todos los artículos indicados en la LISTA DE PARTES y en el CONTENIDO DE LA BOLSA DE PARTES antes de comenzar con el proceso de instalación. La bolsa de partes incluirá lo siguiente:

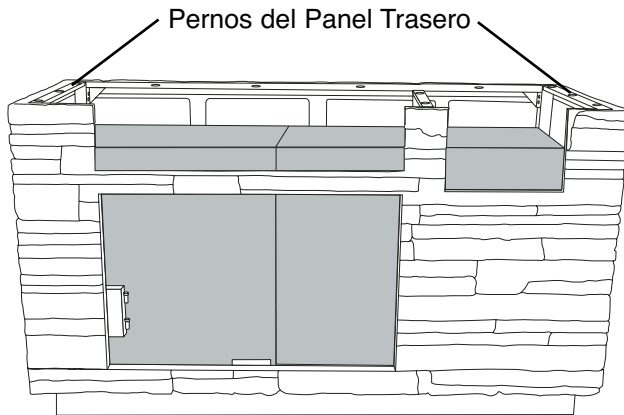
Cant.

- |   |  |    |   |
|---|--|----|---|
| 1 | Llave para tuercas hexagonales           | 2  | Pernos M5 x 10mm                        |
| 1 | Destornillador                           | 14 | Pernos prisioneros M8 de rosca completa |
| 1 | Llave para tuercas hexagonales (pequeña) | 14 | Arandelas M8                            |
| 1 | Tuerca M6                                | 14 | Tuercas M8                              |
| 2 | Pilas alcalinas AA/1.5 V                 | 36 | Pernos M6 x 12mm                        |



Elija un lugar adecuado y despejado para armar la parrilla y pídale a un amigo que le ayude. Tienda cartón sobre el suelo para proteger el acabado de la parrilla y el área de armado.

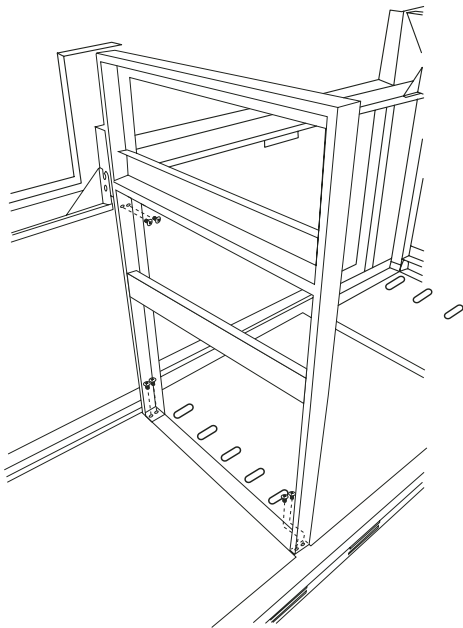
**⚠ ¡CUIDADO!** Algunas partes pueden tener bordes afilados. Póngase guantes de protección si es necesario.



### Paso 1

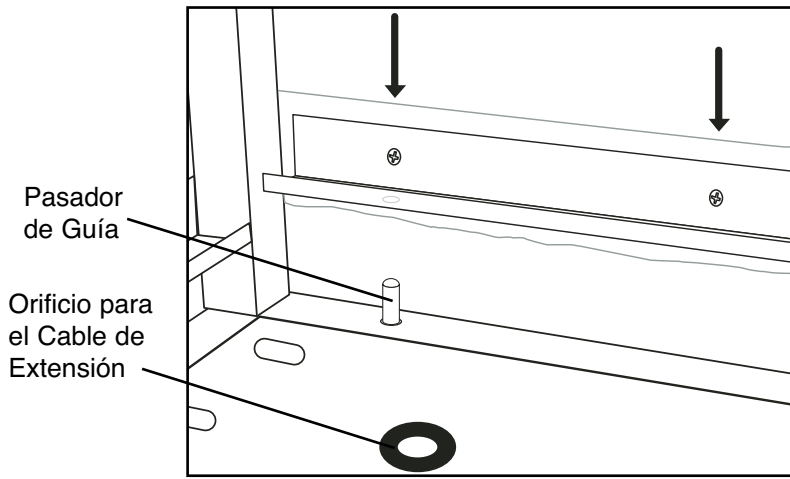
Quite los dos pernos de la esquina superior del panel trasero. Con la ayuda de un amigo, levante y retire el panel trasero y llévelo a un área despejada. Retire todas las cajas de partes de la base.

**Nota:** Preserve estos dos pernos, no los deseche. Se utilizarán en el Paso 3.



### Paso 2

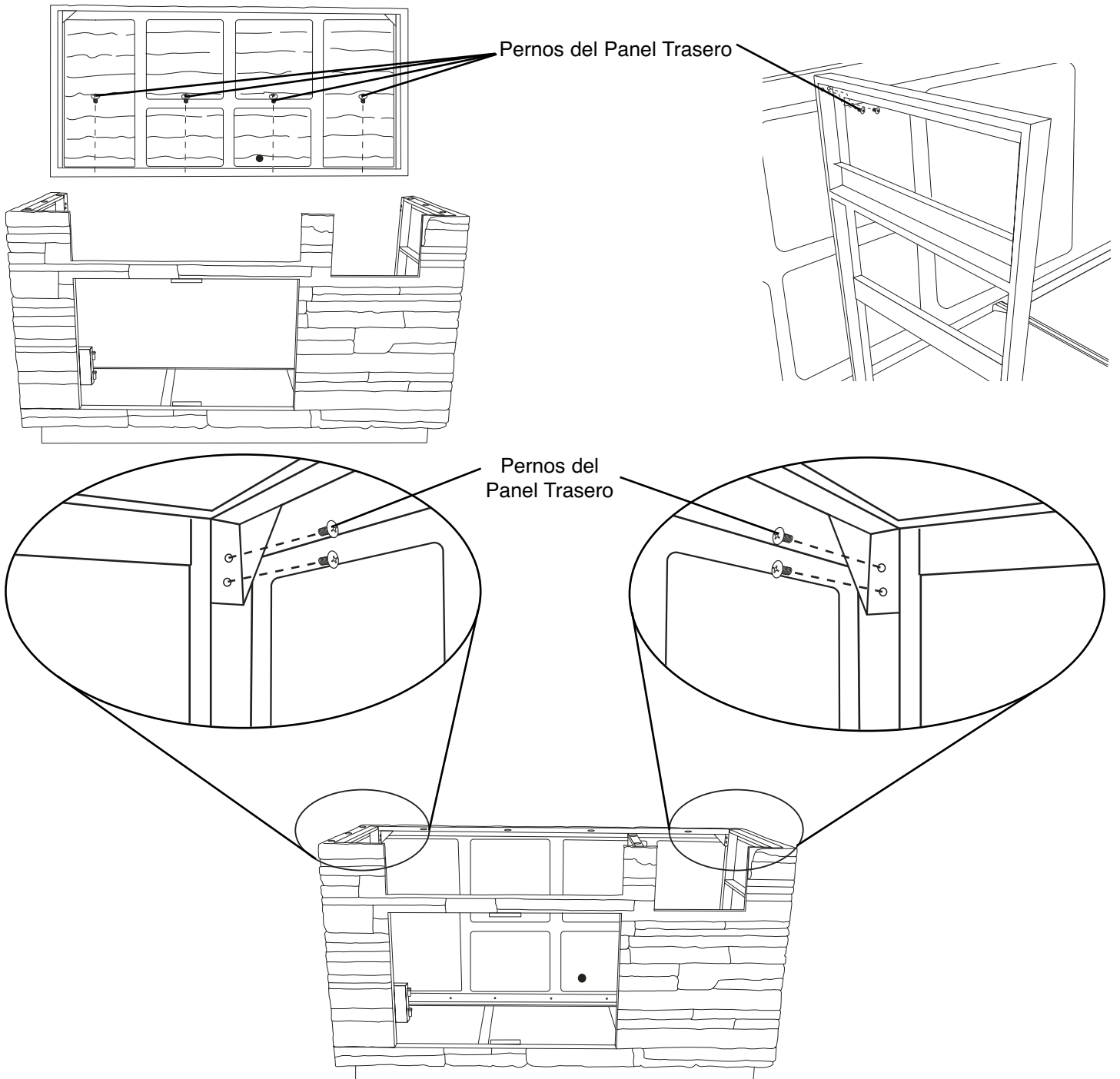
Instale dos pernos M6 x 12mm al soporte del medio de la base de la parrilla, tal como se ilustra, y apriételes bien.

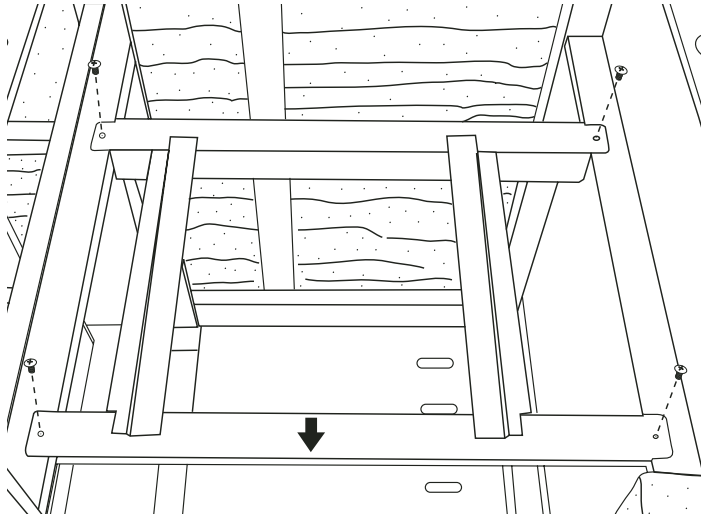


### Paso 3

Con la ayuda de un amigo, instale el panel trasero en la base de la unidad con diez pernos M6 x 12mm. Primero alinee los dos agujeros con los pasadores de guía situados al fondo de la base de la unidad.

Nota: Esto incluirá los dos pernos que retiró en el Paso 1.

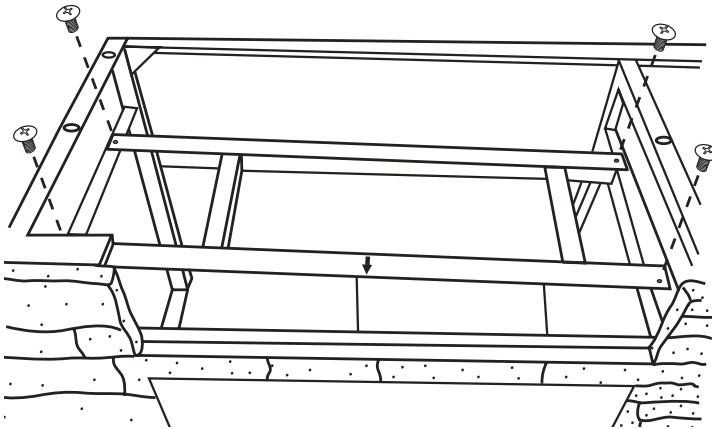




#### Paso 4

Coloque la ménsula del soporte de la hornilla lateral sobre el lado derecho de la unidad con cuatro pernos M6 x 12mm.

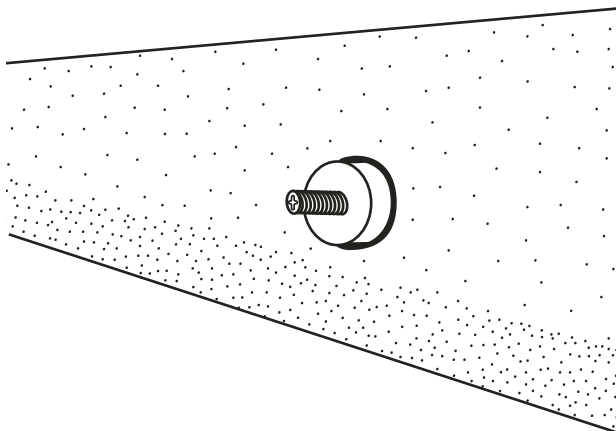
Nota: Asegúrese de que la flecha esté apuntando hacia delante.



#### Paso 5

Coloque la ménsula del soporte de la parrilla sobre el lado izquierdo de la unidad con cuatro pernos M6 x 12mm.

Nota: Asegúrese de que la flecha esté apuntando hacia delante.



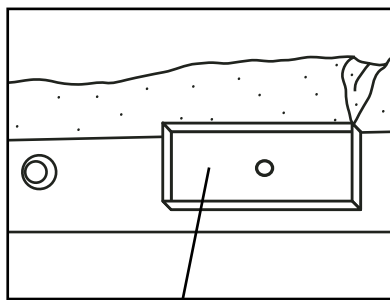
#### Paso 6

Inserte pernos prisioneros M8 de rosca completa en el extremo inferior de los mostradores de granito. Total de catorce pernos prisioneros para tres mostradores de granito.

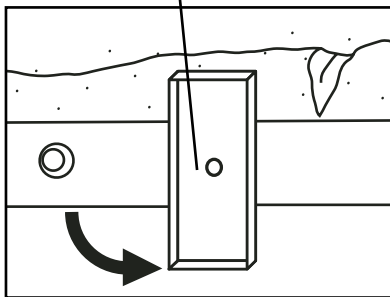
## Paso 7

Instale los mostradores de granito alineando los pernos prisioneros roscados M8 en los agujeros con anillo de caucho situados en el extremo superior de la base de la unidad. Sujete el mostrador de granito a la base con arandelas redondas y tuercas M8 instaladas en cada perno prisionero roscado. (Apriete con la mano únicamente.)

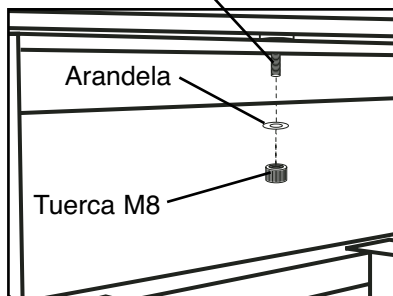
Nota: Antes de instalar la sección trasera de granito, gire las placas de apoyo 90 grados.



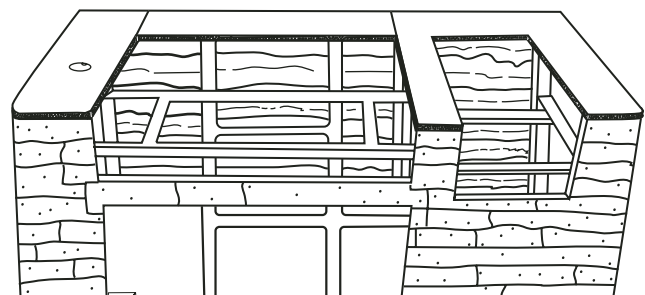
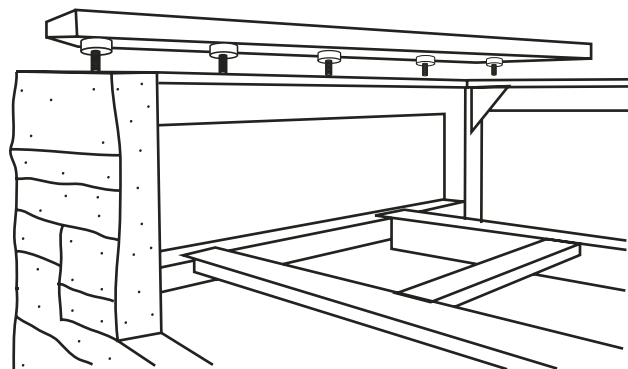
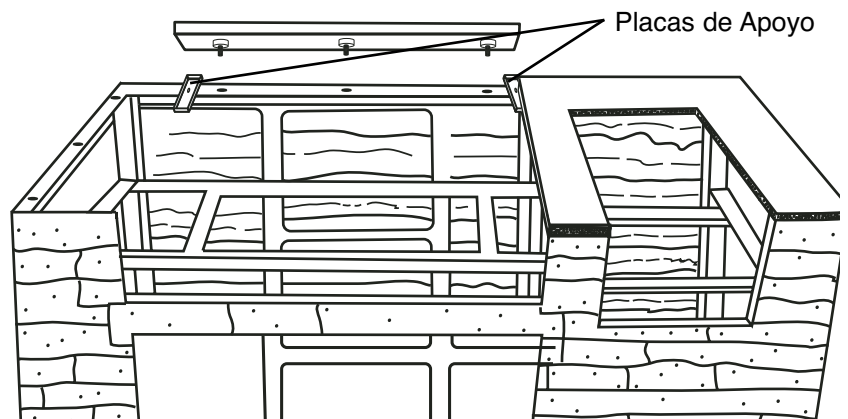
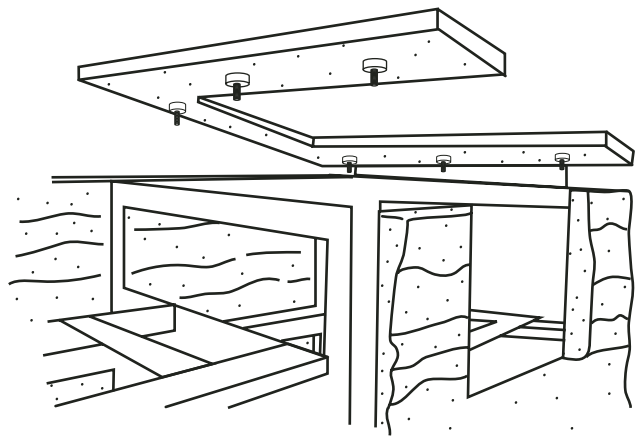
Placas de Apoyo



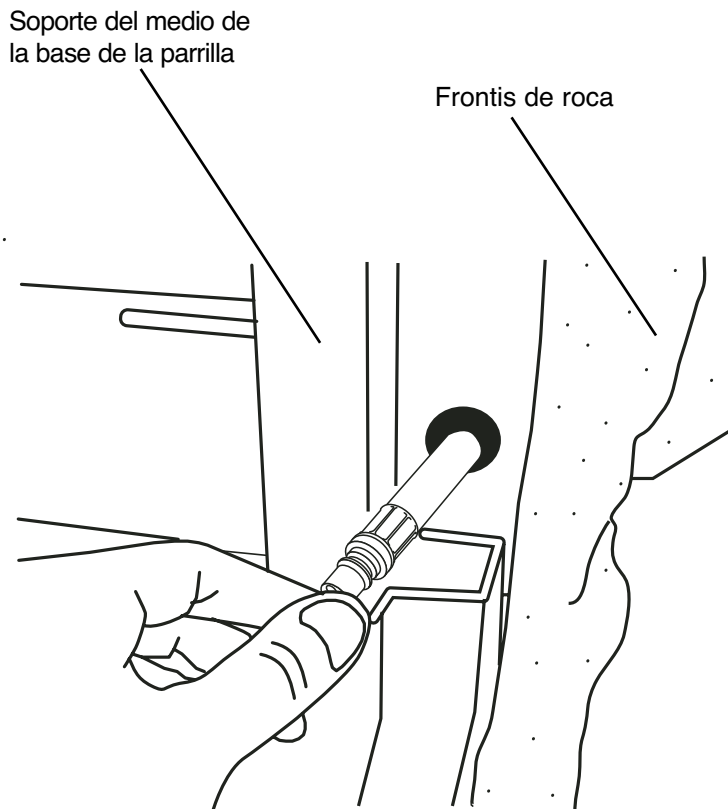
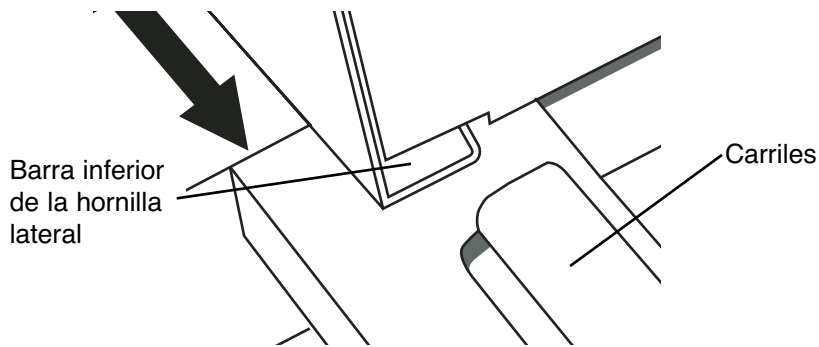
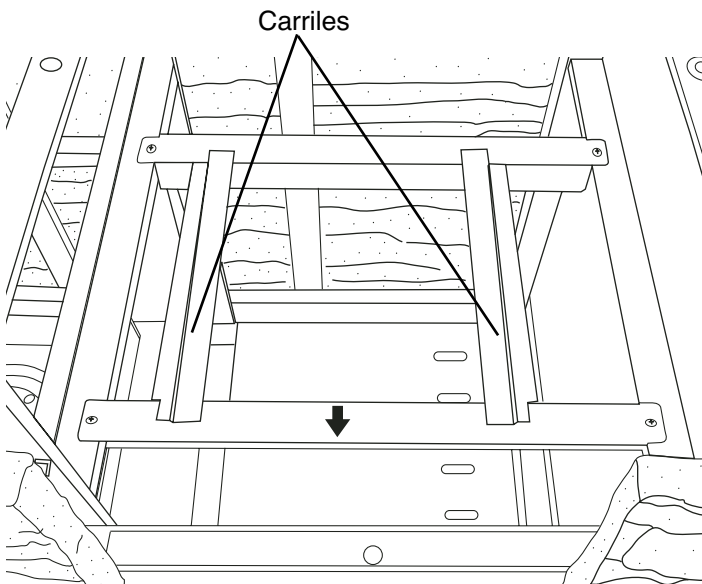
Perno prisionero roscado



Nota: Después de la instalación del mostrador de granito, las costuras se pueden rellenar con masilla de silicona transparente para dar un aspecto más acabado.



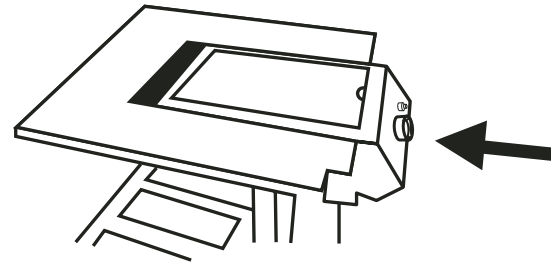




Nota: Levante la hornilla lateral desde los paneles delantero y trasero para evitar lastimarse las manos y dedos.

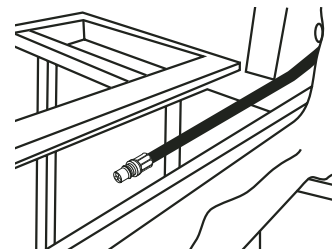
### Paso 8

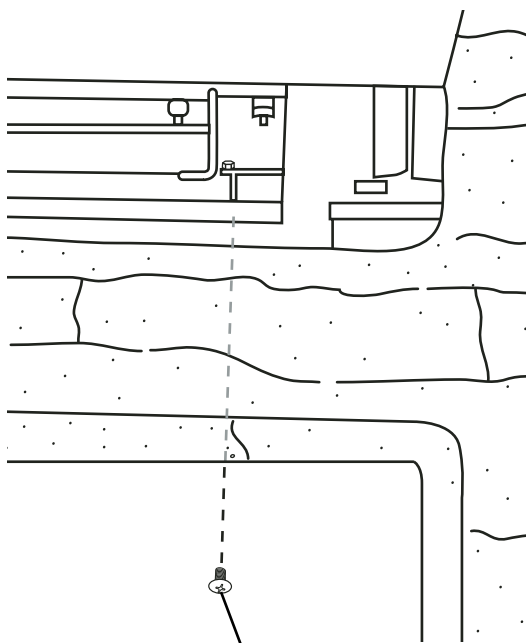
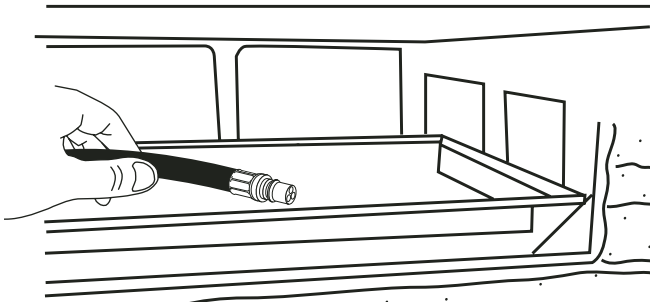
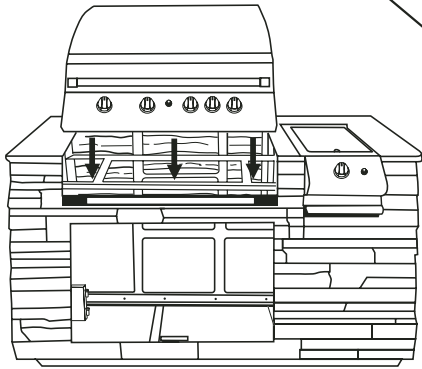
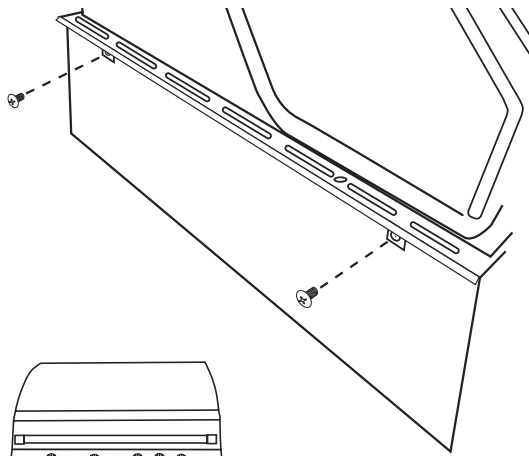
Instale la hornilla lateral sobre el lado derecho de la base de la parrilla. Alinee la barra inferior de la hornilla lateral con los carriles en el soporte de la hornilla lateral, luego deslícela hacia atrás hasta que se trabe en posición.backward until it locks in place.



### Paso 9

Luego tire de la manguera del agujero situado al lado izquierdo de la hornilla lateral.





Perno M6 x 12mm

### Paso 10

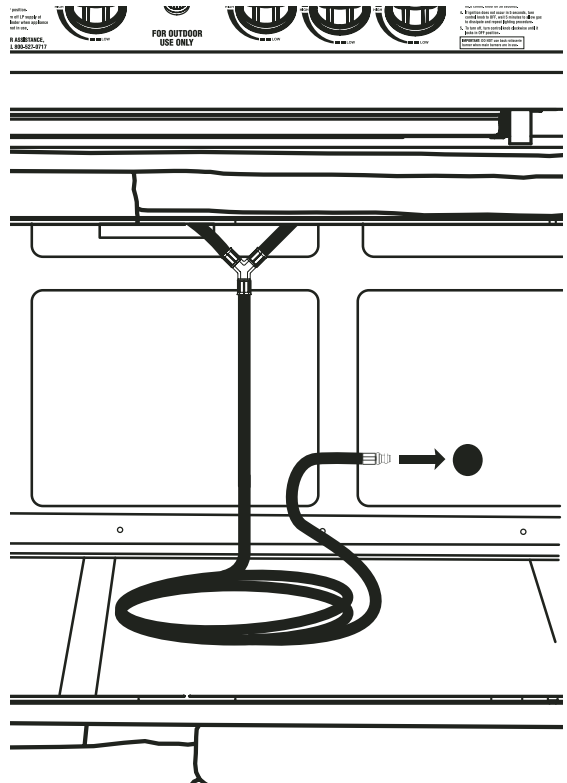
Instale la moldura lateral de la caja de la parrilla a la tapa del extremo lateral de la parrilla con dos pernos M6 x 12mm. Repita para la otra tapa de extremo.

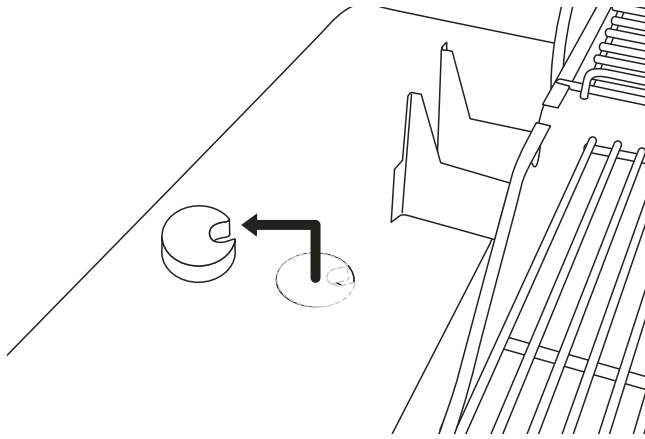
### Paso 11

Con la ayuda de un amigo (recomendamos que 3 a 4 personas armen la caja de la parrilla), coloque la caja sobre la unidad. Asegúrese de que la manguera y acoplador pasan por el espacio entre el panel delantero y la ménsula del soporte de la caja de la parrilla. Luego, alinee los dos agujeros en el soporte delantero inferior de la parrilla con la ménsula de soporte y apriete bien con dos pernos M6 x 12mm.

### Step 12

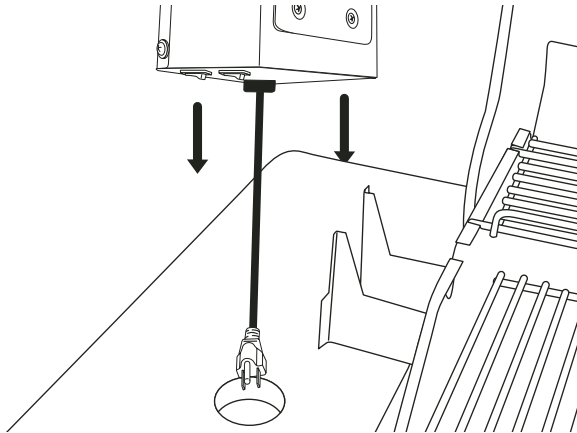
Pase la manguera por la abertura en el panel trasero para conexión para el rápido-desconectador acoplador.





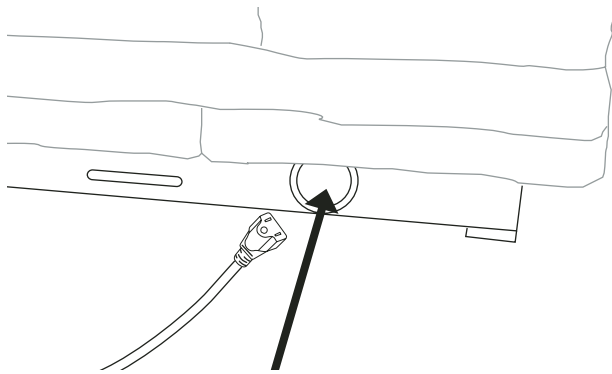
### Paso 13

Retire el tapón de granito precortado e inserte el cordón del motor del asador estilo rotisserie por el orificio.



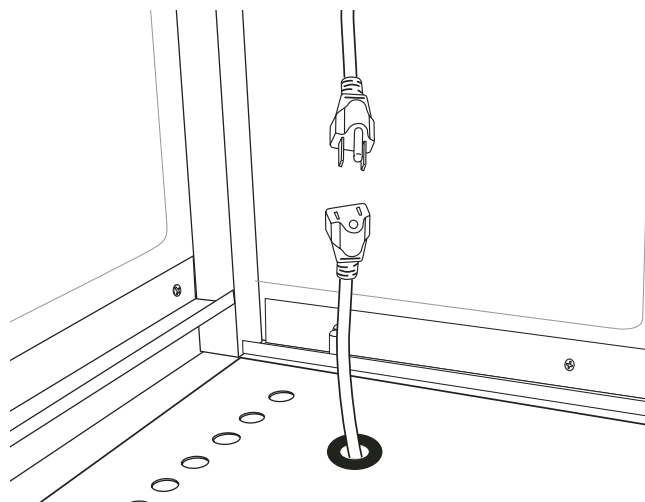
### Paso 14

Deslice el motor del asador estilo rotisserie en el soporte para el motor. Reinstale el tapón de granito en el mostrador.



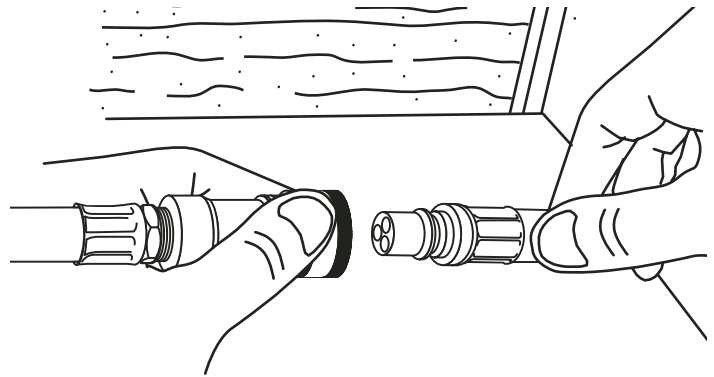
### Paso 15

Introduzca un cable de extensión (no incluido) por el panel trasero de la unidad de la base y hacia arriba a través del agujero de la base del gabinete interior de la parrilla. Conecte el cable del motor de asador estilo rotisserie al enchufe del cable de extensión.



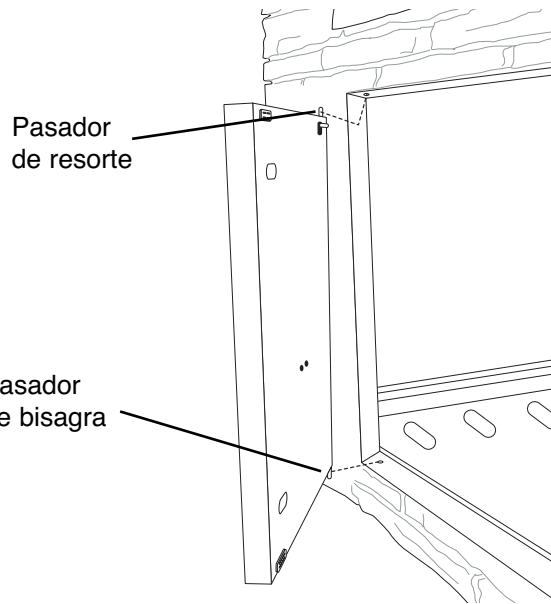
### Paso 16

Conecte la manguera de la hornilla lateral a la manguera de la caja de la parrilla insertando el accesorio en el acoplamiento de conexión rápida.



### Paso 17

Inserte el pasador de bisagra en el extremo inferior de la puerta izquierda en el agujero del marco inferior de la puerta izquierda y luego alinee la puerta con el marco. Oprima el pasador de resorte situado en el borde superior de la puerta y deslícela hacia el marco izquierdo hasta que el pasador se trabe en el agujero del marco de la puerta. Repita para la otra puerta.



### Paso 18

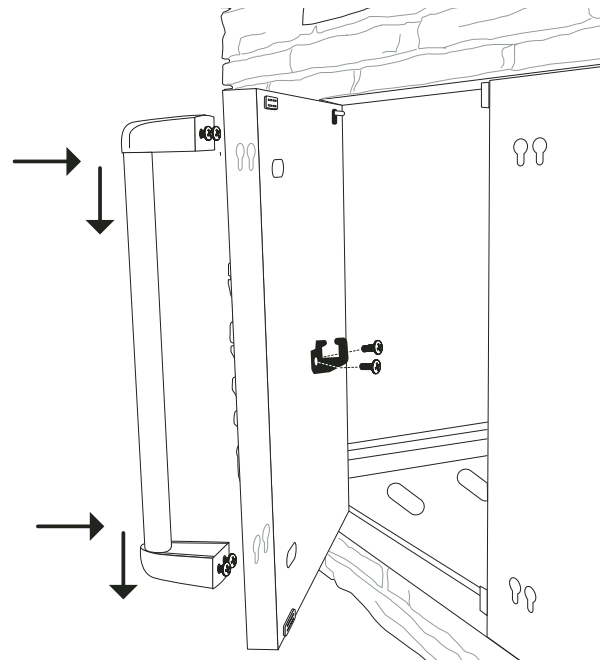
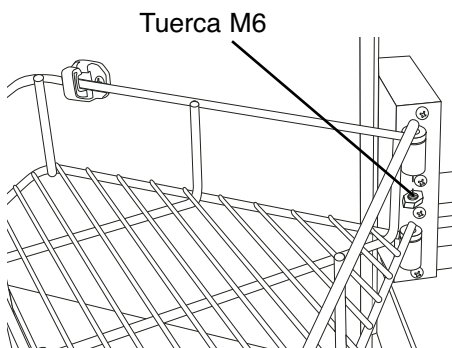
Para instalar la manija en la puerta, inserte dos pernos M6 x 12mm hasta la mitad en el pedestal de la manija de la puerta. Alinee los pernos con los orificios de la cerradura situados en el panel de la puerta y deslícelos hacia abajo. Luego apriete bien los cuatro pernos. Repita para la otra puerta.

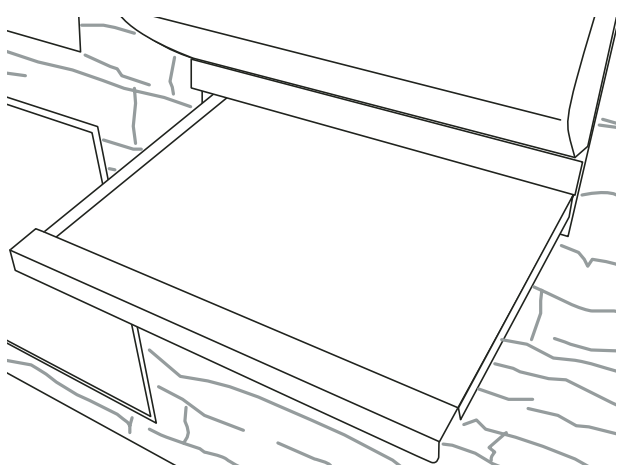
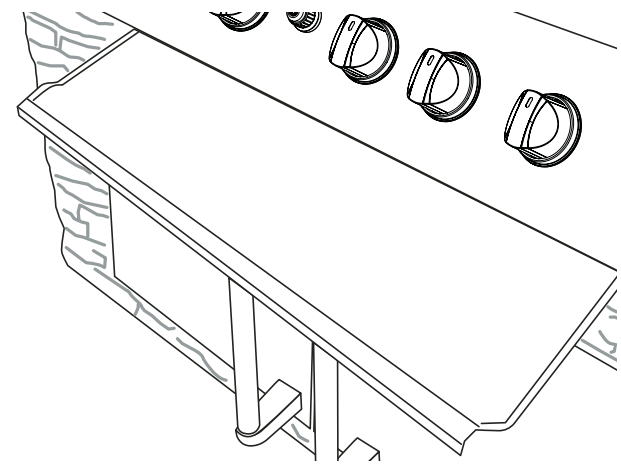
### Paso 19

Instale la guía del soporte para el cesto con dos pernos M5 x 10mm.

### Paso 20

Coloque el cesto en los soportes y en la guía. Luego sujételo con una tuerca M6 y apriétela bien con la llave pequeña para tuercas hexagonales.



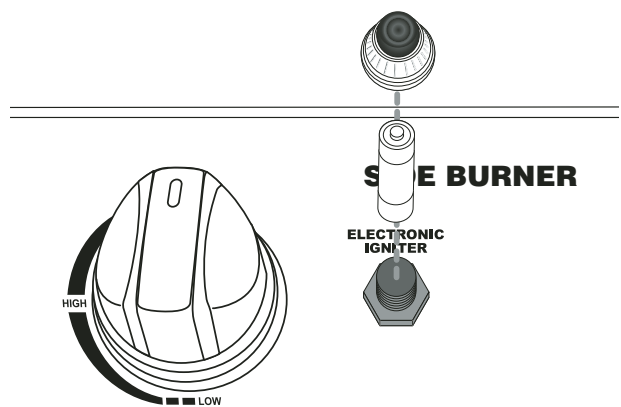


### Paso 21

Inserte la bandeja para grasa de las hornillas principales en la abertura en el lado delantero de las hornillas principales.

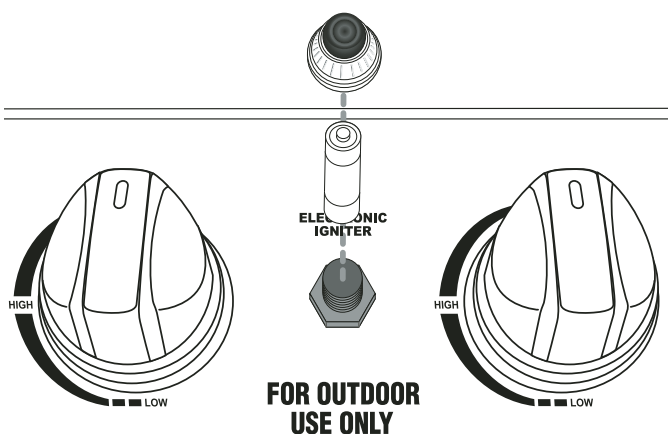
### Paso 22

Inserte la bandeja para grasa de la hornilla lateral en la abertura en el lado delantero de la hornilla lateral.



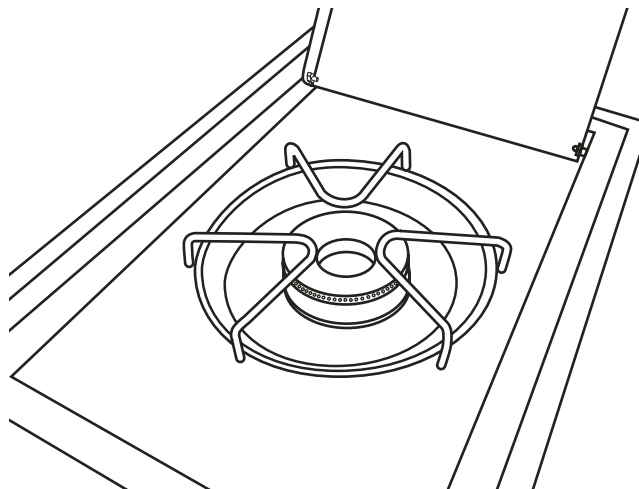
### Paso 23

Quite la tapa del encendedor de la hornilla lateral y coloque la pila con el extremo positivo hacia la tapa del encendedor. Coloque nuevamente la tapa y verifique que el encendedor funcione correctamente. Repita para el encendedor de la hornilla de la parrilla.



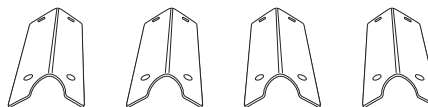
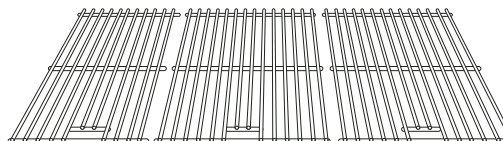
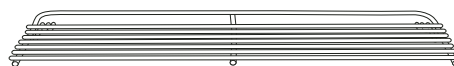
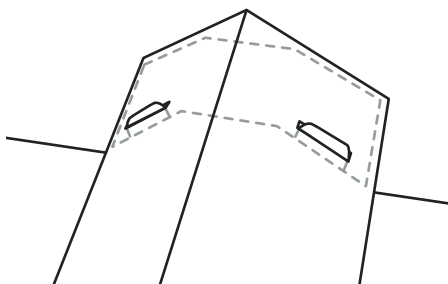
### Paso 24

Coloque la rejilla en la hornilla lateral.



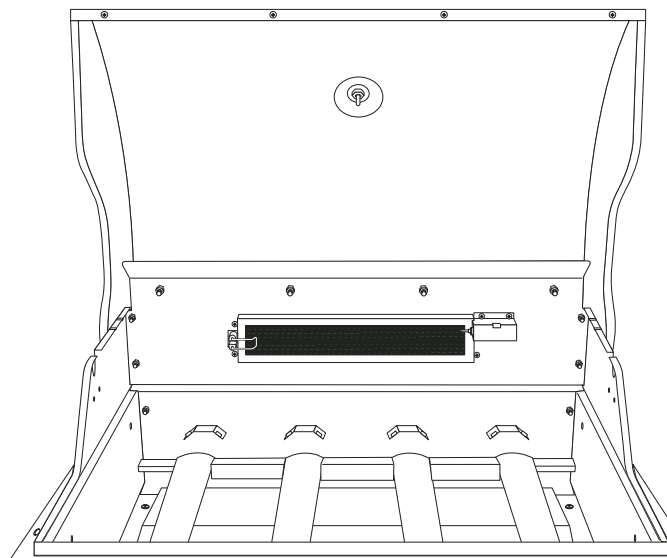
### Paso 25

Coloque las cuatro placas de distribución de calor sobre las lengüetas situadas en el nivel inferior del conjunto de la caja de la parrilla, directamente arriba de las hornillas.



### Paso 26

Coloque las rejillas para cocinar de acero inoxidable sobre las costillas de apoyo directamente arriba de las placas de distribución de calor.



### Paso 27

Coloque la rejilla para calentar en las ranuras sobre las rejillas para cocinar de acero inoxidable.

**GRILL LIGHTING INSTRUCTIONS:**

1. Read and follow all warnings and instructions in owner's manual before lighting.
2. Make sure the grill is fully assembled.
3. Grill cover must be closed before lighting the grill.
4. Turn on the gas control knob to the "On" position and push in the knob.
5. Push the electronic igniter and hold for 10 seconds to light burner.
6. Repeat steps 4-5 for each burner. Do not touch the igniter or burner when lighting.

**FOR OUTDOOR USE ONLY**

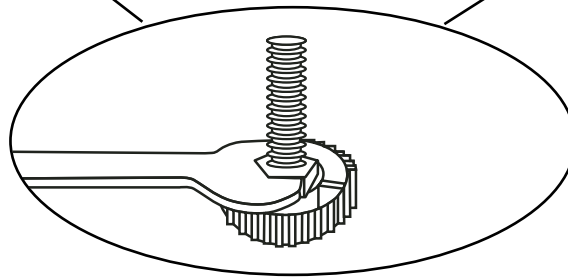
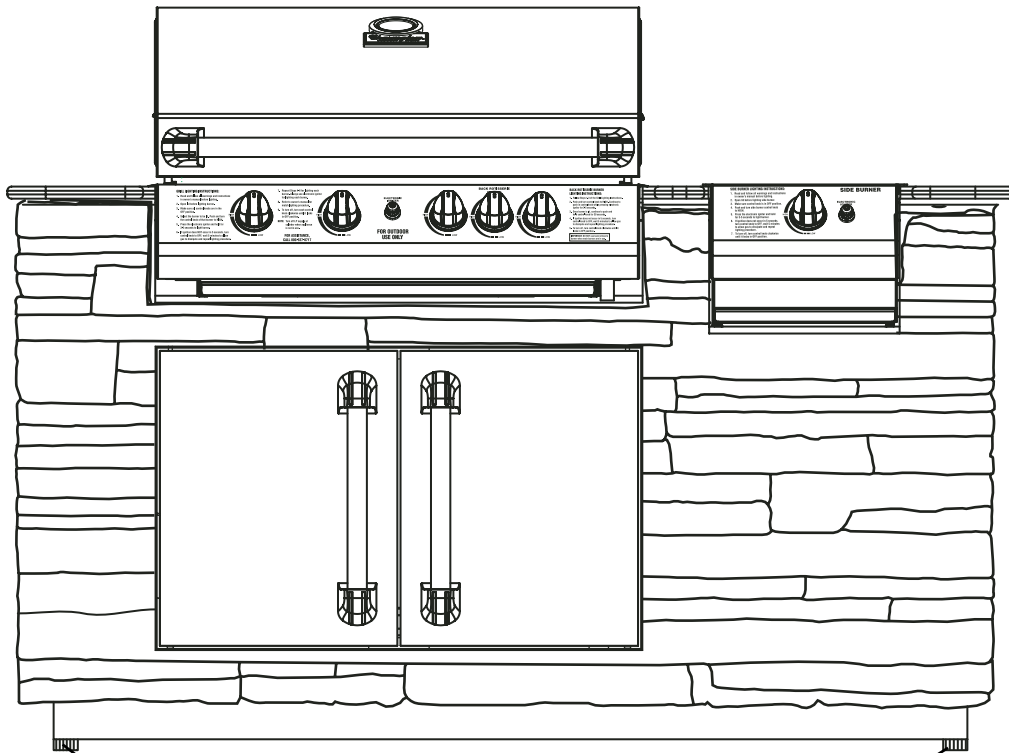
**FOR ASSISTANCE, CALL 800-927-0717**

**BACK BURNER BURNER LIGHTING INSTRUCTIONS:**

1. Turn on the gas control knob to the "On" position and push in the knob.
2. Push the electronic igniter and hold for 10 seconds to light burner.
3. Repeat steps 1-2 for each burner. Do not touch the igniter or burner when lighting.

**FOR ASSISTANCE, CALL 800-927-0717**

## Charmglow Grill Island (Armada)



Nota : Use la llave grande para tuercas hexagonales y ajuste las patas de la parrilla para nivelar correctamente su Parrilla a Gas Grill Island para uso al aire libre.

## WARRANTY

The Brinkmann Corporation warrants to the original purchaser that the Charmglow Gas Grill™ is free from defects due to workmanship or materials for:

- Stainless Steel and Die cast parts - Lifetime
- Electronic ignition and burners - 1 Year
- Remaining parts - 1 Year

The Brinkmann Corporation's obligations under this warranty are limited to the following guidelines:

- This warranty does not cover grills that have been altered or damaged due to: normal wear, rust, abuse, improper maintenance, improper use, disassembly of parts and/or attempted repair by anyone other than an authorized employee of The Brinkmann Corporation.
- This warranty does not cover surface scratches, rust or heat damage to the finish, which is considered normal wear.
- The Brinkmann Corporation may elect to repair or replace damaged units covered by the terms of this warranty.
- This warranty extends to the original purchaser only and is not transferable or assignable to subsequent purchasers.

The Brinkmann Corporation requires reasonable proof of purchase. Therefore, we strongly recommend that you retain your sales receipt or invoice. To obtain replacement parts for your Charmglow Grill Island Gas Grill under the terms of this warranty, please call Customer Service Department at 800-527-0717. **A receipt will be required. The Brinkmann Corporation will not be responsible for any grills forwarded to us without prior authorization.**

EXCEPT AS ABOVE STATED, THE BRINKMANN CORPORATION MAKES NO OTHER EXPRESS WARRANTY.

THE IMPLIED WARRANTIES OF MERCHANTABILITY AND FITNESS FOR A PARTICULAR PURPOSE ARE LIMITED IN DURATION TO THOSE LISTED ABOVE FROM THE DATE OF PURCHASE. SOME STATES DO NOT ALLOW LIMITATIONS ON HOW LONG AN IMPLIED WARRANTY LASTS, SO THE ABOVE LIMITATION MAY NOT APPLY TO YOU.

ANY LIABILITY FOR INDIRECT, INCIDENTAL OR CONSEQUENTIAL DAMAGES ARISING FROM THE FAILURE OF THE CHARMGLOW GRILL ISLAND GAS GRILL TO COMPLY WITH THIS WARRANTY OR ANY IMPLIED WARRANTY IS EXCLUDED. CUSTOMER ACKNOWLEDGES THAT THE PURCHASE PRICE CHARGED IS BASED UPON THE LIMITATIONS CONTAINED IN THE WARRANTY SET OUT ABOVE. SOME STATES DO NOT ALLOW THE EXCLUSION OR LIMITATION OF INCIDENTAL OR CONSEQUENTIAL DAMAGES, SO THE ABOVE LIMITATION OR EXCLUSION MAY NOT APPLY TO YOU. THIS WARRANTY GIVES YOU SPECIFIC LEGAL RIGHTS, AND YOU MAY ALSO HAVE OTHER RIGHTS WHICH VARY FROM STATE TO STATE.

## GARANTÍA

The Brinkmann Corporation garantiza al comprador original que la parrilla Charmglow Parrilla de Gas Grill Island™ está libre de defectos de materiales o mano de obra:

- Piezas de acero inoxidable y fundidas en troquel – garantía de por vida
- Encendedor electrónico y hornillas – 1 año de garantía
- El resto de las piezas – 1 año de garantía

Las obligaciones de The Brinkmann Corporation con respecto a esta garantía se limitan a lo siguiente:

- Esta garantía no cubre parrillas que hayan sido alteradas o dañadas debido a: uso normal, herrumbre, maltrato, mantenimiento inadecuado, uso inapropiado, desmontaje de piezas o intento de reparación por alguien que no sea un empleado autorizado de The Brinkmann Corporation.
- Esta garantía no cubre rayones superficiales, daño por herrumbre o por calor al acabado, lo cual se considera como uso normal.
- The Brinkmann Corporation puede decidir reparar o reemplazar las unidades dañadas cubiertas bajo los términos de esta garantía.
- Esta garantía se otorga al comprador original únicamente y no es transferible o asignable a los compradores posteriores.

The Brinkmann Corporation exige un comprobante de compra razonable. Por lo tanto, le recomendamos enfáticamente que retenga su recibo o factura de venta. Para obtener partes de repuesto para la parrilla Charmglow Parrilla de Gas Grill Island™ bajo los términos de esta garantía, sírvase contactar al Departamento de Servicio al Cliente al 800-527-0717. **Se exigirá la presentación de un recibo. The Brinkmann Corporation no será responsable de ninguna parrilla devuelta a nosotros sin autorización previa.**

EXCEPTO POR LO INDICADO ARRIBA, THE BRINKMANN CORPORATION NO OTORGA NINGUNA OTRA GARANTÍA EXPRESA.

LAS GARANTÍAS IMPLÍCITAS DE COMERCIABILIDAD Y ADECUACIÓN CON UN FIN EN PARTICULAR SON DE DURACIÓN LIMITADA DE ACUERDO A LO INDICADO ARRIBA A PARTIR DE LA FECHA DE COMPRA. ALGUNOS ESTADOS NO PERMITEN LIMITACIONES DE DURACIÓN DE UNA GARANTÍA IMPLÍCITA; POR LO TANTO, LA LIMITACIÓN ANTERIOR PODRÍA NO SER APLICABLE EN SU CASO.

SE EXCLUYE CUALQUIER RESPONSABILIDAD POR DAÑOS INDIRECTOS, INCIDENTALES O CONSIGUIENTES DERIVADOS DE LA FALTA DE CUMPLIMIENTO DE ESTA GARANTÍA O DE CUALQUIER GARANTÍA IMPLÍCITA DE THE CHARMGLOW PARRILLA DE GAS GRILL ISLAND. EL CLIENTE RECONOCE QUE EL PRECIO DE COMPRA COBRADO SE BASA EN LAS LIMITACIONES CONTENIDAS EN LA GARANTÍA ANTERIOR. ALGUNOS ESTADOS NO PERMITEN LA EXCLUSIÓN O LIMITACIÓN DE LOS DAÑOS INCIDENTALES O CONSIGUIENTES; POR LO TANTO, LA LIMITACIÓN O EXCLUSIÓN ANTERIOR PODRÍA NO SER APLICABLE EN SU CASO. ESTA GARANTÍA LE OTORGA DERECHOS LEGALES ESPECÍFICOS Y USTED PUEDE TENER ADEMÁS OTROS DERECHOS QUE VARIAN DE UN ESTADO A OTRO.